

TYPICAL DETAIL - RAISED TABLE
SCALE 1:50

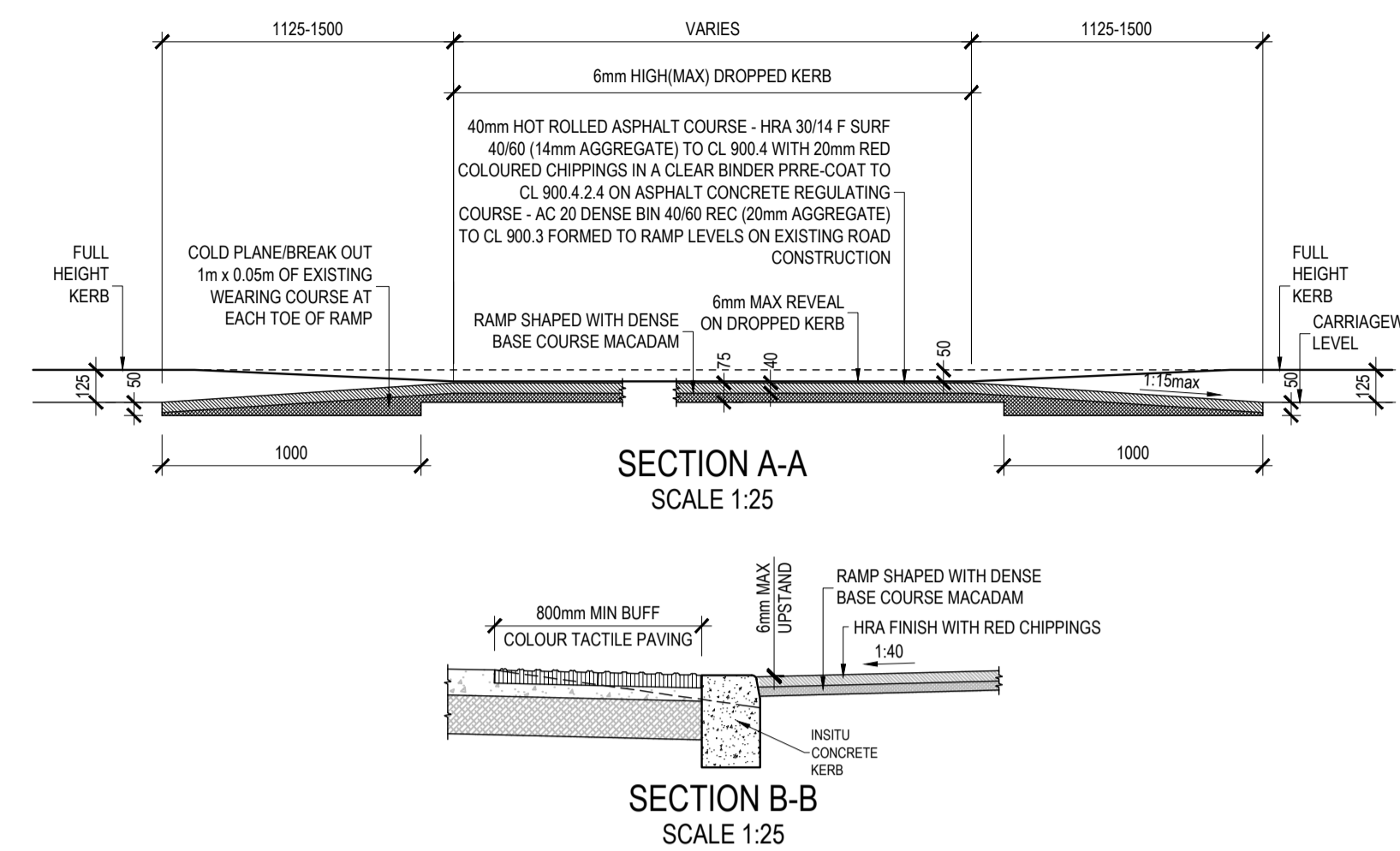


FIGURE 3B

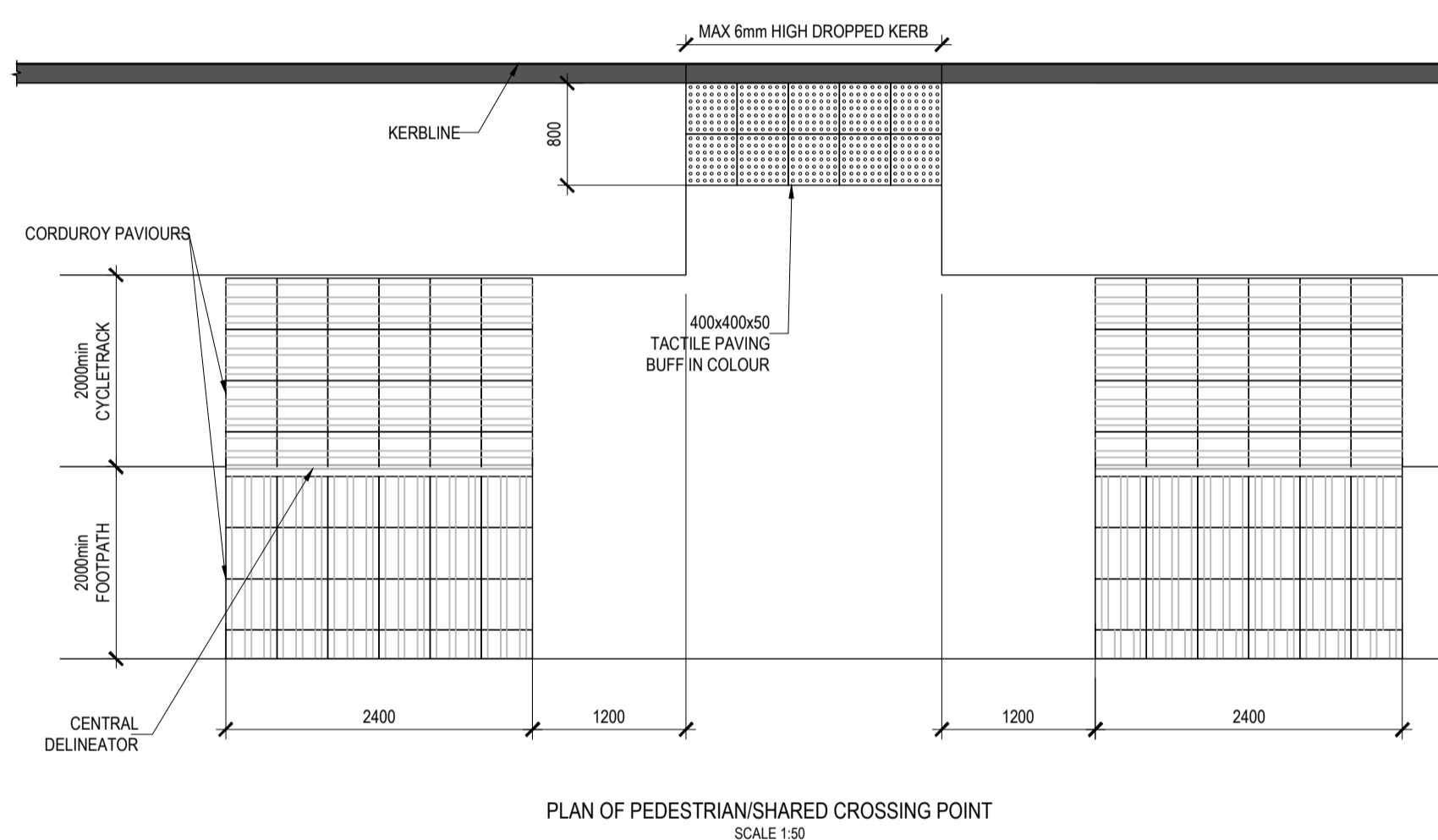
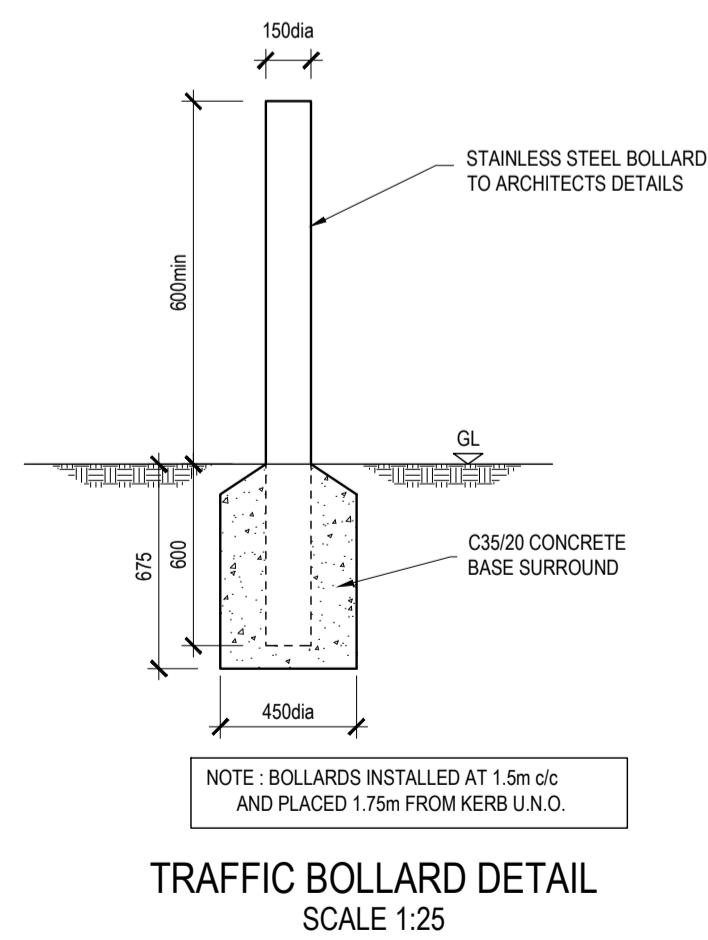
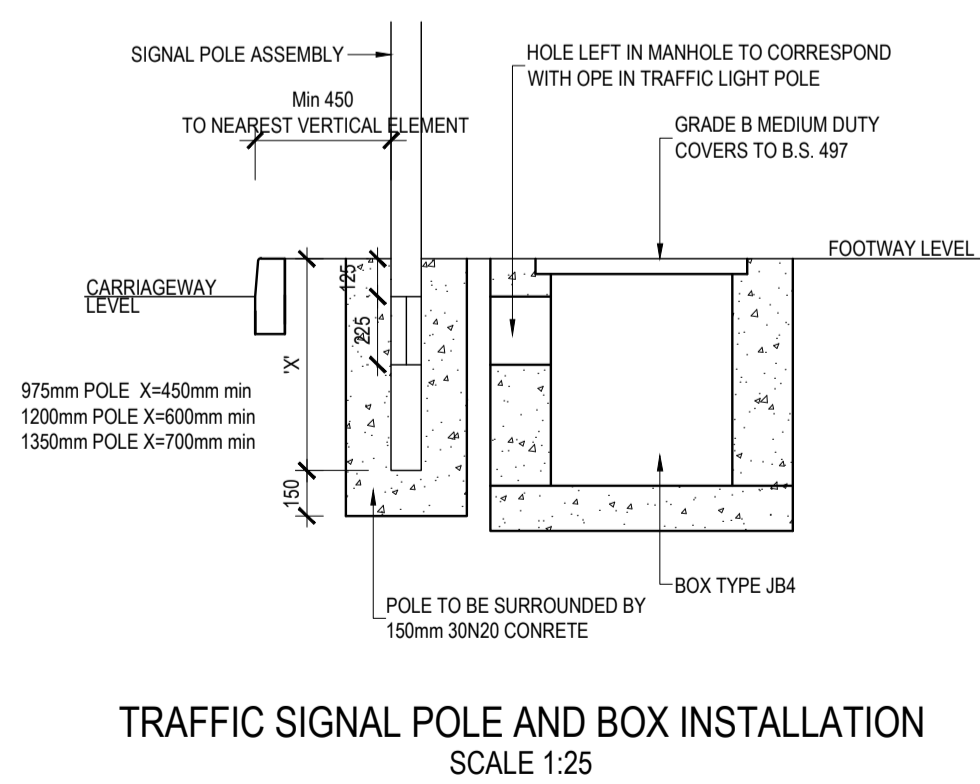


FIGURE 3C



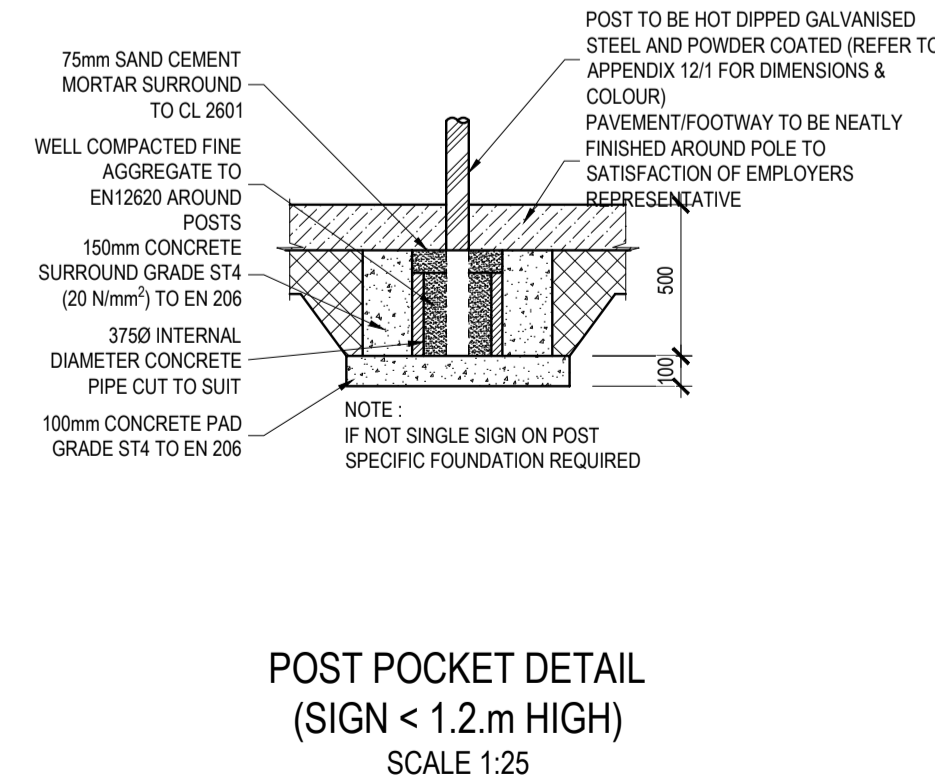
TRAFFIC BOLLARD DETAIL
SCALE 1:25

FIGURE 3D



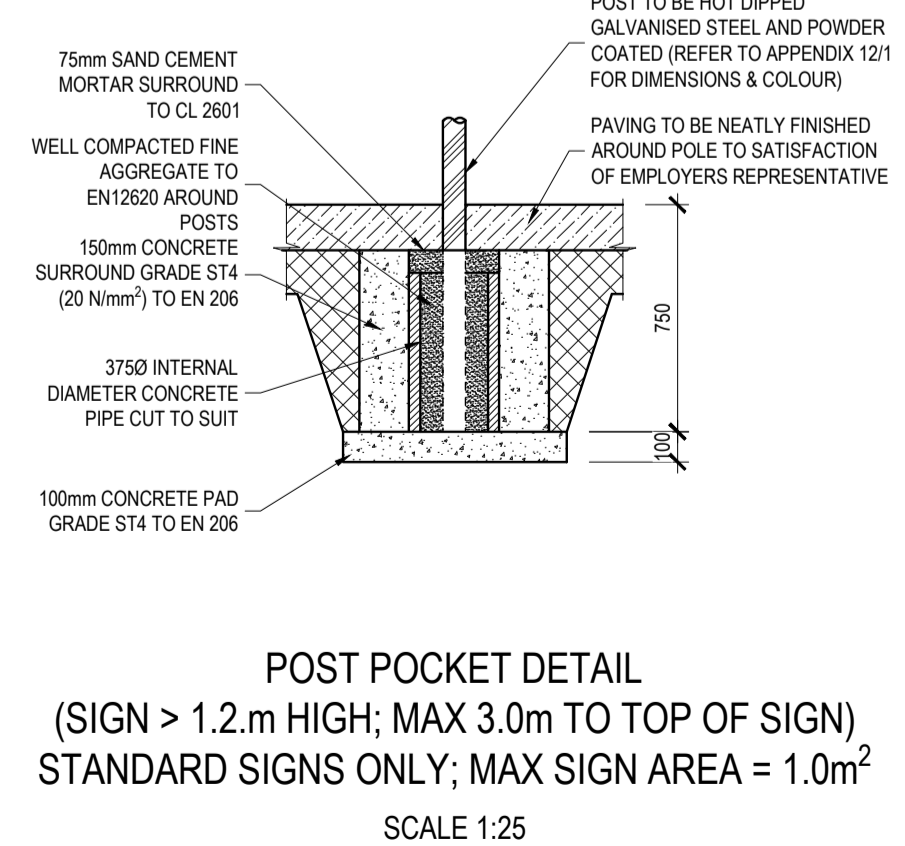
TRAFFIC SIGNAL POLE AND BOX INSTALLATION
SCALE 1:25

FIGURE 3E



POST POCKET DETAIL
(SIGN < 1.2m HIGH)
SCALE 1:25

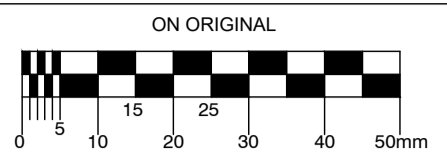
FIGURE 3F



POST POCKET DETAIL
(SIGN > 1.2m HIGH; MAX 3.0m TO TOP OF SIGN)
STANDARD SIGNS ONLY; MAX SIGN AREA = 1.0m²
SCALE 1:25

FIGURE 3G

© COPYRIGHT OF THIS DRAWING IS RESERVED BY DBFL CONSULTING ENGINEERS. NO PART SHALL BE REPRODUCED OR TRANSMITTED WITHOUT THEIR WRITTEN PERMISSION.



- NOTES:
- ALL WORKS TO BE CONSTRUCTED IN ACCORDANCE WITH THE NRA SPECIFICATION FOR ROAD WORKS UNLESS OVERRIDDEN BY LOCAL OVERSEEING AUTHORITY'S STANDARDS
 - SUB-BASE MATERIAL SHALL COMPLY WITH CLAUSE 808 GRANULAR MATERIAL TYPE B OF NRA'S SPECIFICATION FOR ROAD WORKS (SRM) & SHALL SATISFY THE REQUIREMENTS OF TABLE 6/1 & 6/2.
 - SUB FORMATION & CAPPING MATERIAL SHALL COMPLY WITH CLAUSE 613 OF THE NRA'S 'SPECIFICATION FOR ROAD WORKS' & SHALL SATISFY THE REQUIREMENTS OF TABLE 6/1 & 6/2.
 - STONE BLINDING WITH 2-6.5mm AGGREGATE SHALL MEET THE FOLLOWING GRADINGS, IN ACCORDANCE WITH IS EN 13242
- | BS SIEVE SIZE (mm) | % BY MASS PASSING |
|--------------------|-------------------|
| 14 | 100 |
| 10 | 98-100 |
| 6.3 | 80-99 |
| 2.0 | 0-20 |
| 1.0 | 0-5 |
- CRUSHED STONE WITH 4-20mm AGGREGATE SHALL MEET THE FOLLOWING GRADINGS, IN ACCORDANCE WITH IS EN 13242
- | BS SIEVE SIZE (mm) | % BY MASS PASSING |
|--------------------|-------------------|
| 40 | 100 |
| 31.5 | 98-100 |
| 20 | 90-99 |
| 10 | 25-70 |
| 4 | 0-15 |
| 5 | 0-5 |
- ANY ROADS PROPOSED TO BE USED FOR CONSTRUCTION TRAFFIC ARE TO HAVE INCREASED DEPTH OF SUB-BASE FOR THE DURATION OF CONSTRUCTION IN ACCORDANCE WITH DBFL SPECIFICATIONS.
 - ALL WORKS SHALL BE COMPLETED IN ACCORDANCE WITH THE REQUIREMENTS OF THE LOCAL AUTHORITY.
 - ALL GEOGRIDS TO BE LAID IN ACCORDANCE WITH MANUFACTURERS SPECIFICATIONS.
 - ALL AGGREGATES PROPOSED FOR USE ON THIS SCHEME SHALL MEET FULLY THE REQUIREMENTS OF THE NRA SPECIFICATION FOR ROAD WORKS AND IN ADDITION THE REQUIREMENTS STATED IN STANDARD RECOMMENDATION S.R. 21:2014 GUIDANCE ON THE USE OF I.S. EN 1242:2002 1A1:2007-AGGREGATES FOR UNBOUND AND HYDRAULICALLY BOUND MATERIALS FOR USE IN CIVIL ENGINEERING WORK AND ROAD CONSTRUCTION.

B	14-09-21	FOR SHD APPLICATION	JVS	BK
A	16-07-21	REVISED SITE LAYOUT	JVS	BK
REV	DATE	DESCRIPTION	BY	CHKD

PLANNING

DESIGNED	ED	PREPARED	GMC
DATE	JUN 2020	CHECKED	BK

DBFL Consulting Engineers
Dublin office Ormond House,
Upper Ormond Quay, Dublin 7, Ireland.
PHONE +353 1 400 4000
FAX +353 1 400 4050

WATERFORD OFFICE Unit 2, The Chandlery,
1-2 O'Connell Street, Waterford, Ireland.
PHONE +353 51 309 5500
FAX +353 51 844 913

DBFL Consulting Engineers email: info@dbfl.ie site: www.dbfl.ie

PROJECT
**LANDS AT CLONMINCH,
TULLAMORE, CO OFFALY**

DRG. TITLE
**TYPICAL ROAD
CONSTRUCTION DETAILS
SHEET 3**

CLIENT
**STEINFORT INVESTMENTS
FUND**

SCALE	AS SHOWN @A1	FILE REF.	180002-2011
DRG. NO.	180002-2013		B