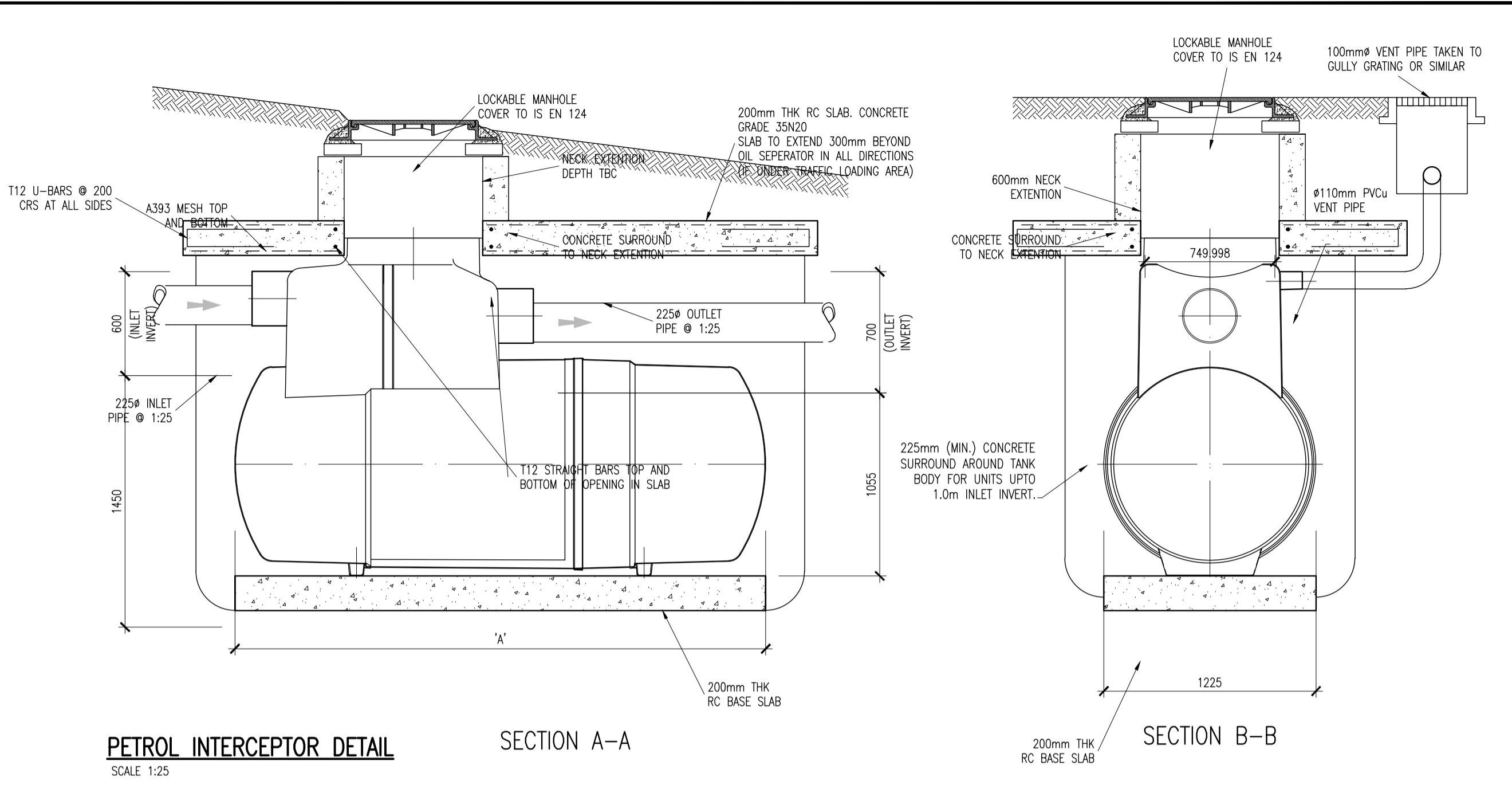


DIMENSIONS

UNIT REF No.	NOMINAL FLOW	LENGTH 'A' mm	DIAMETER 'B' mm	BASE TO INLET 'C' mm	STD. PIPE Ø	FALL ACROSS UNIT
NSBP020	20 L/S	3893	1220	1450	375	100
NSBE025	25 L/S	3575	1420	1680	375	100
NSBE030	30 L/S	4265	1420	1680	450	100

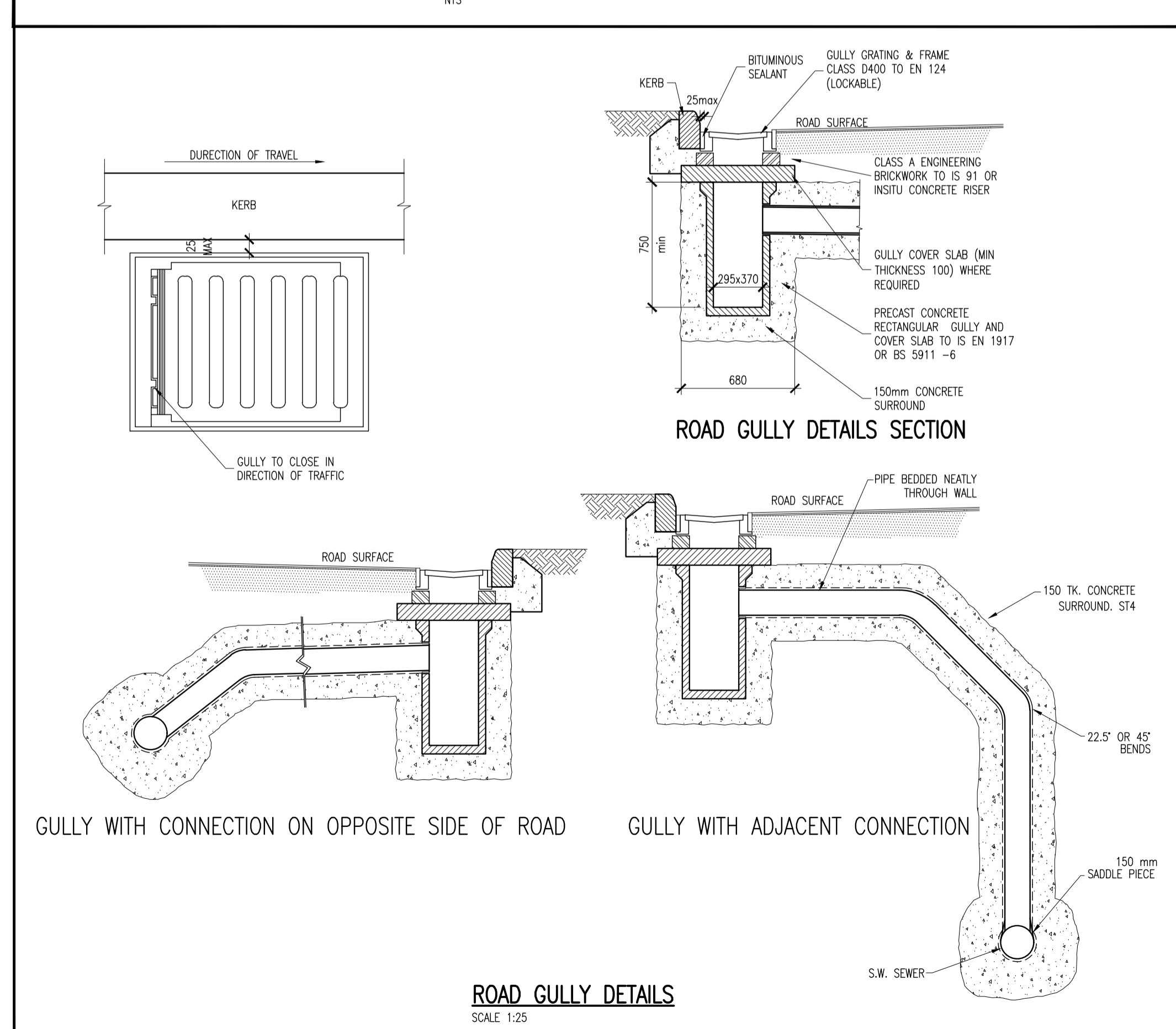
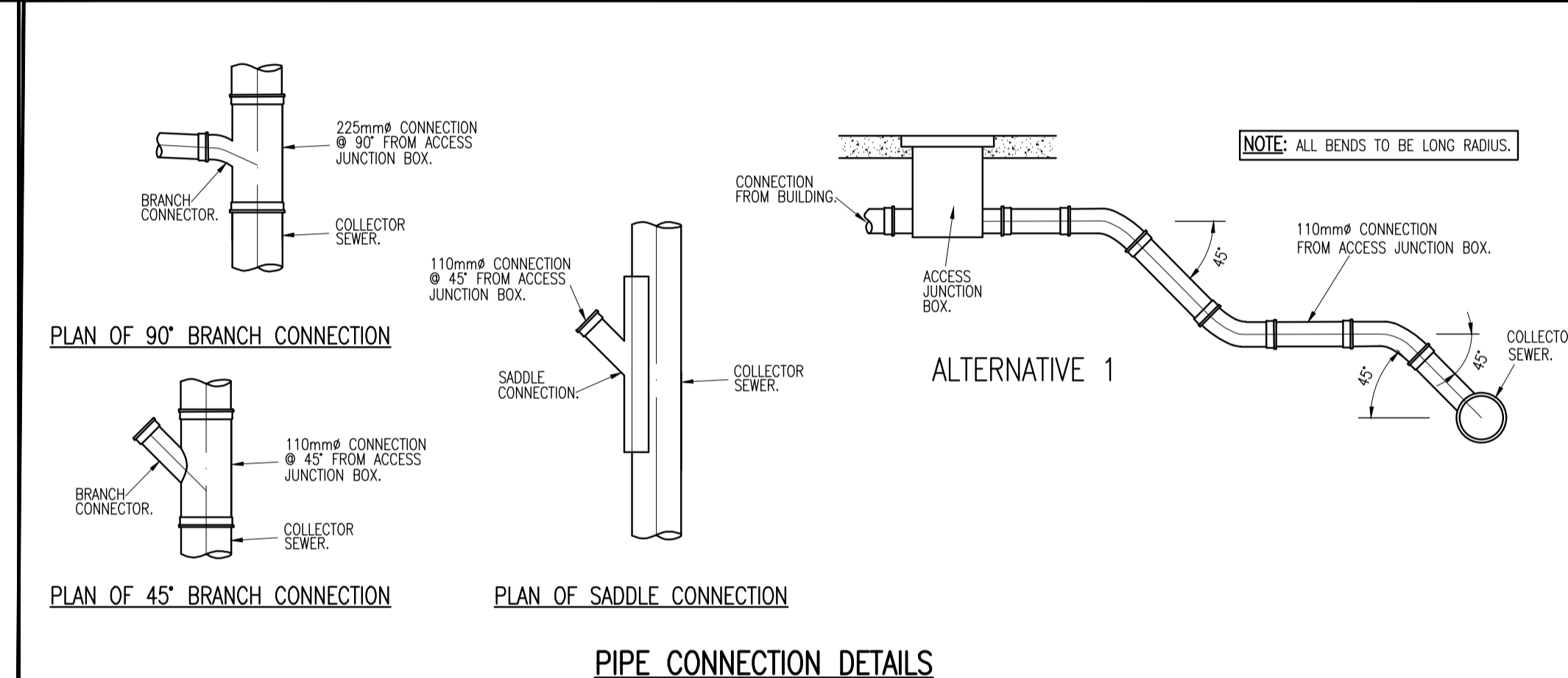
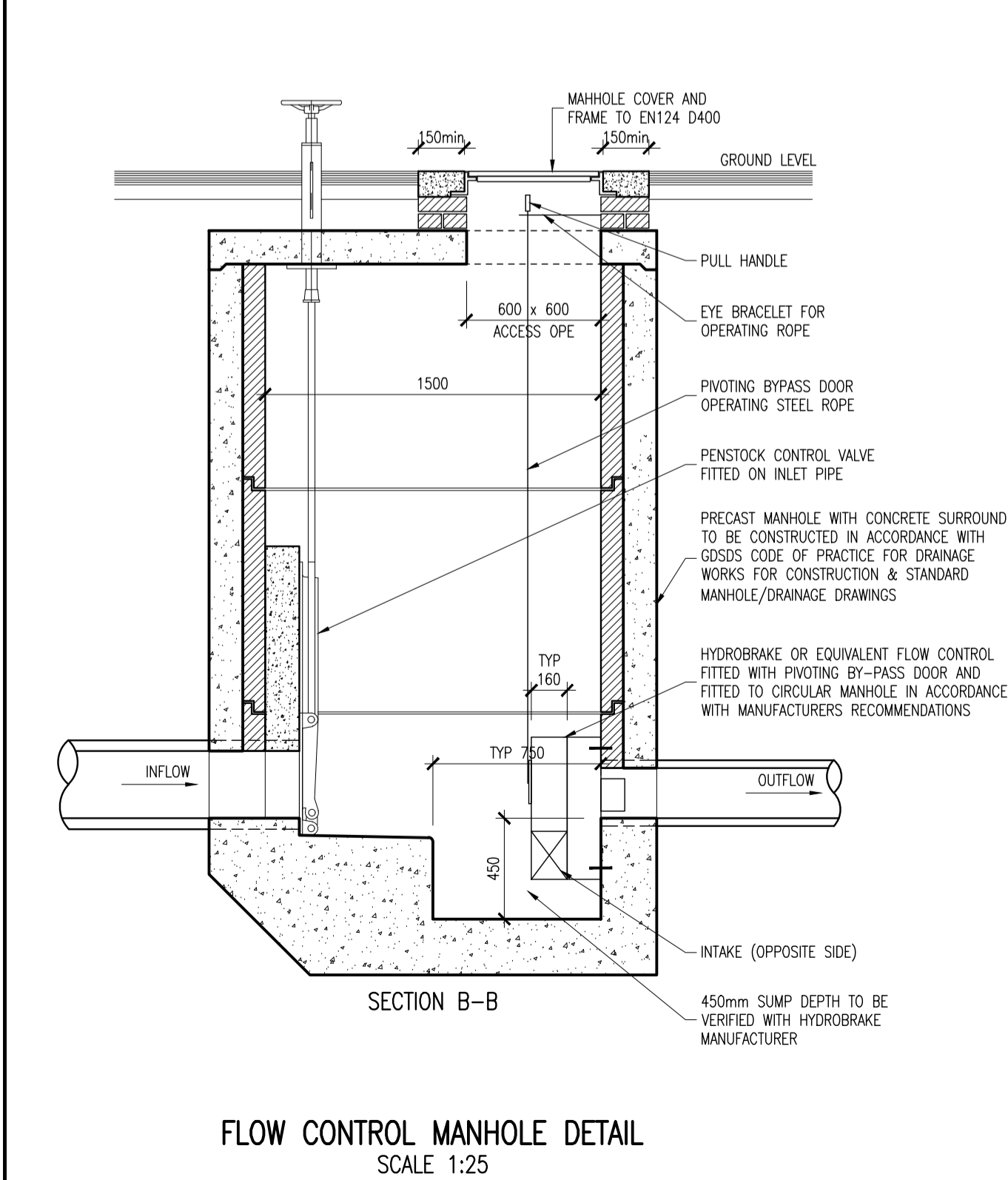
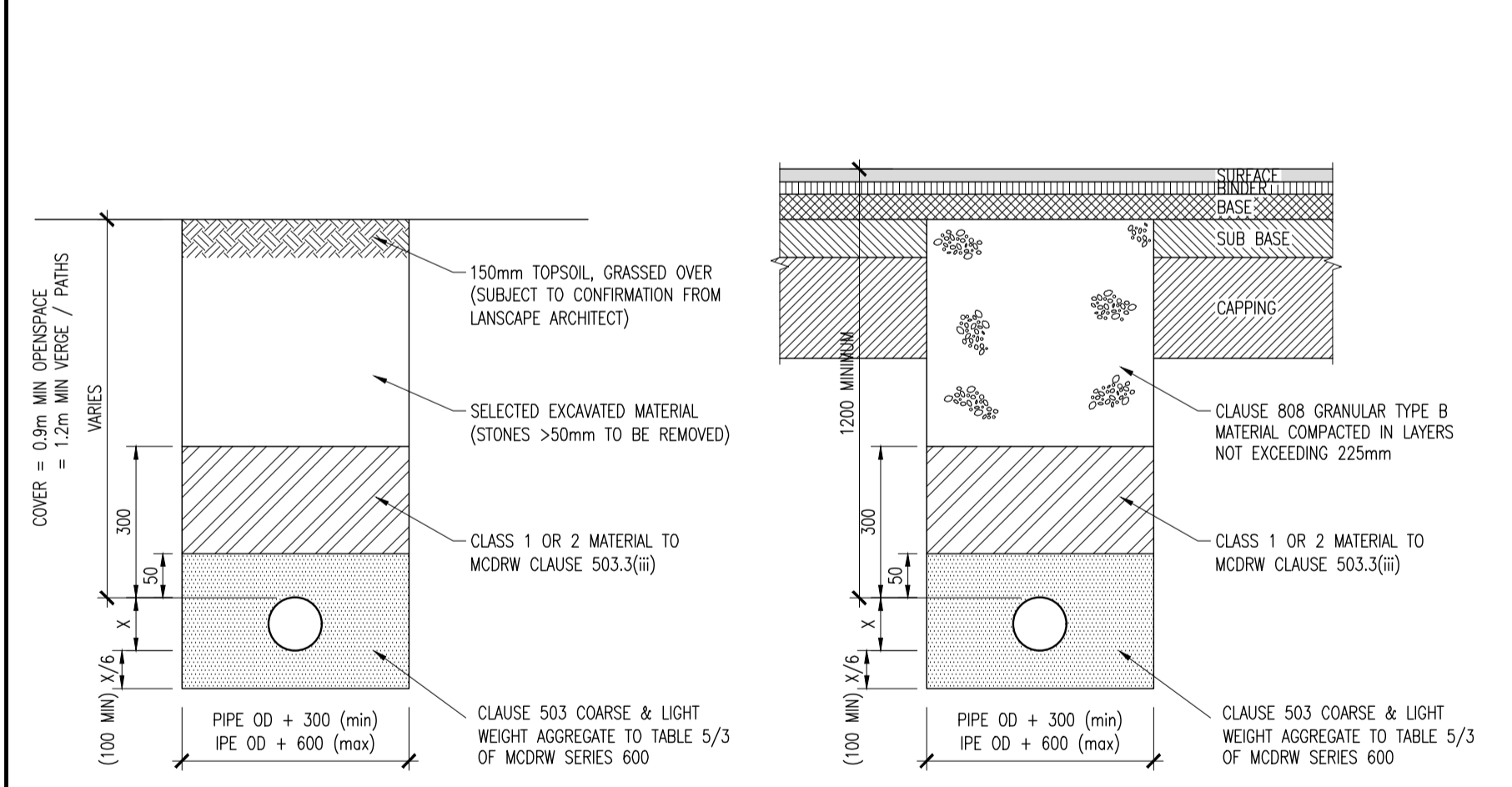
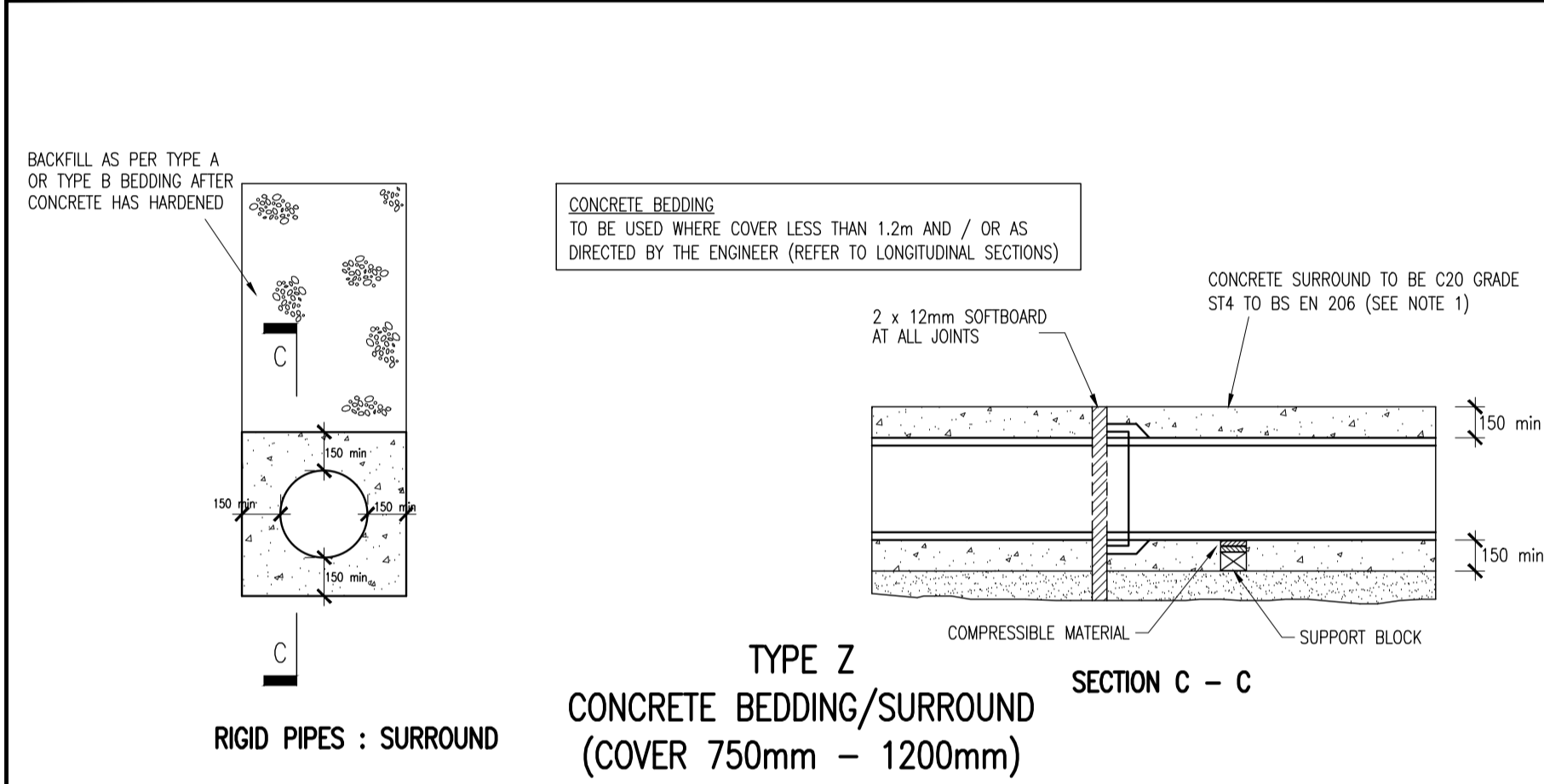
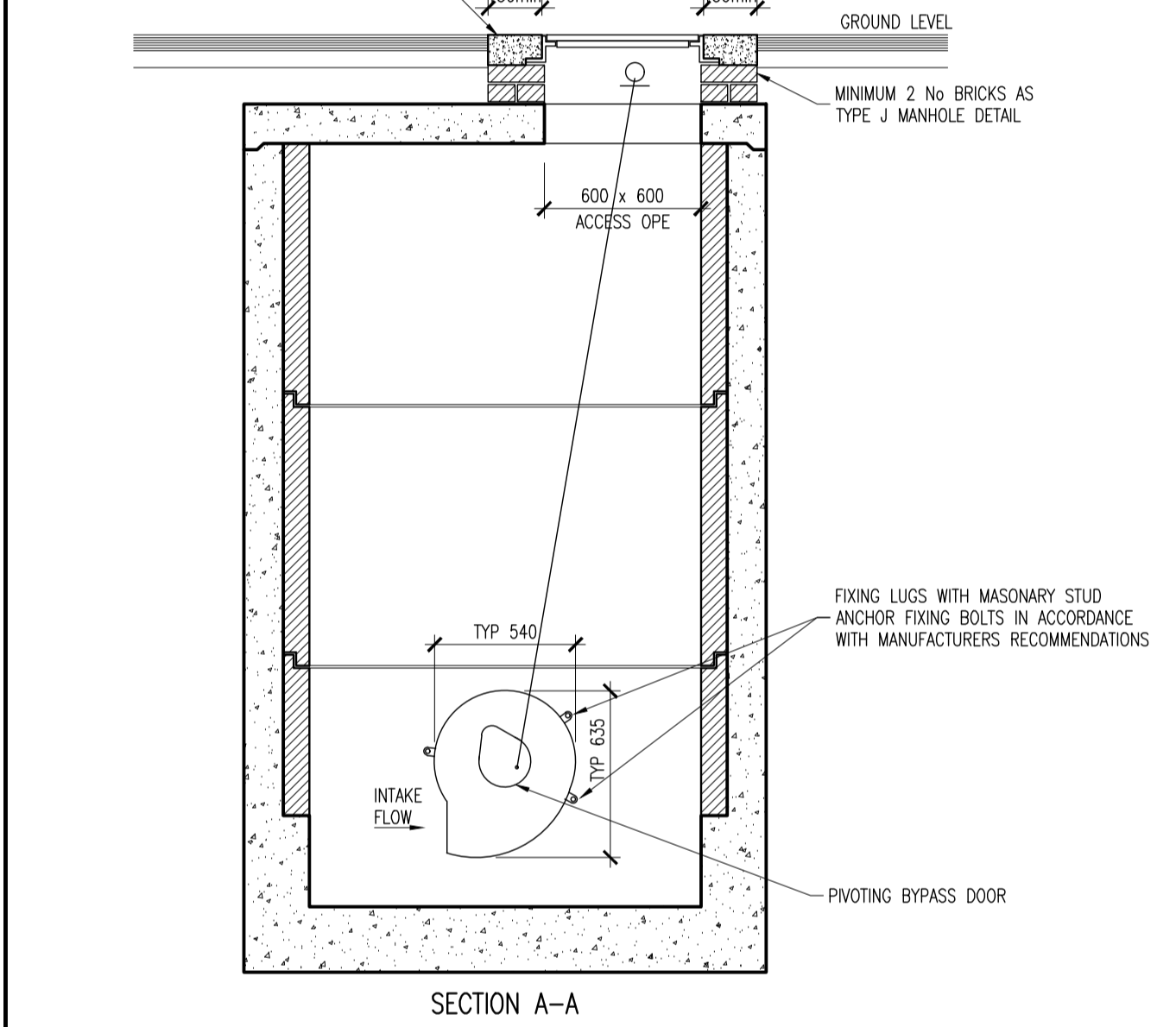


© COPYRIGHT OF THIS DRAWING IS RESERVED BY DBFL CONSULTING ENGINEERS. NO PART SHALL BE REPRODUCED OR TRANSMITTED WITHOUT THEIR WRITTEN PERMISSION.

ON ORIGINAL

NOTES:

- WHERE ROCKS OR OTHER HARD TRENCH BOTTOM IS ENCOUNTERED, THE FIGURE DENOTED BY * IS TO BE DOUBLED.
- TYPE 1 GRANULAR MATERIAL: BROKEN STONE OR GRAVEL TO PASS 10mm SIEVE AND BE RETAINED ON 5mm SIEVE.
- TYPE 2 GRANULAR MATERIAL: BROKEN STONE OR GRAVEL TO PASS 10mm - 25mm SIEVE, ACCORDING TO PIPE SIZE, (SEE TABLE) AND BE RETAINED ON 5mm SIEVE.
- CLAUSE 601 S.R.W. BACKFILL: UNIFORM READILY COMPACTED MATERIAL FREE FROM TREE ROOTS, VEGETABLE MATTER, BUILDING DEBRIS, AND FROZEN SOIL AND EXCLUDING CLAY LUMPS RETAINED ON A 75mm SIEVE AND STONES RETAINED ON A 37.5mm SIEVE.
- RIGID PIPES SHALL MEAN CAST OR SPUN IRON, CONCRETE OR CLAY.
- GULLY GRATINGS AND FRAMES SHALL COMPLY WITH THE REQUIREMENTS OF I.S./E.N./124 1994. GULLIES SHALL BE CLASS D400.
- GULLY WALLS SHALL BE CONSTRUCTED IN CLASS 30N/mm² PRECAST OR INSITU CONCRETE OR ALTERNATIVELY IN SOLID CONCRETE BLOCKS DESIGNATED S10, STRENGTH 10N/mm²
- ALL PIPES TO BE BEDDED IN ACCORDANCE WITH MANUFACTURERS RECOMMENDATIONS
- SURFACE WATER SEWERS TO BE CLASS H CONCRETE TO IS EN1916 AND IS 6 2004.



B	14-09-21	FOR SHD APPLICATION	JVS	BK
A	16-07-21	REVISED LAYOUT	JVS	BK
REV.	DATE	DESCRIPTION	BY	CHKD.
PLANNING				
DESIGNED	BK	PREPARED	GMC	
DATE	AUG	CHECKED	DJR	
DBFL				
DBFL Consulting Engineers email: info@dbfl.ie site: www.dbfl.ie				
PROJECT				
LANDS AT CLONMINCH, TULLAMORE, CO OFFALY				
DRG. TITLE				
TYPICAL DRAINAGE CONSTRUCTION DETAILS SHEET 2				
CLIENT				
STEINFORT INVESTMENTS FUND				
SCALE	AS SHOWN @A1	FILE REF.	180002-3011	
DRG. NO.	180002-3011			B