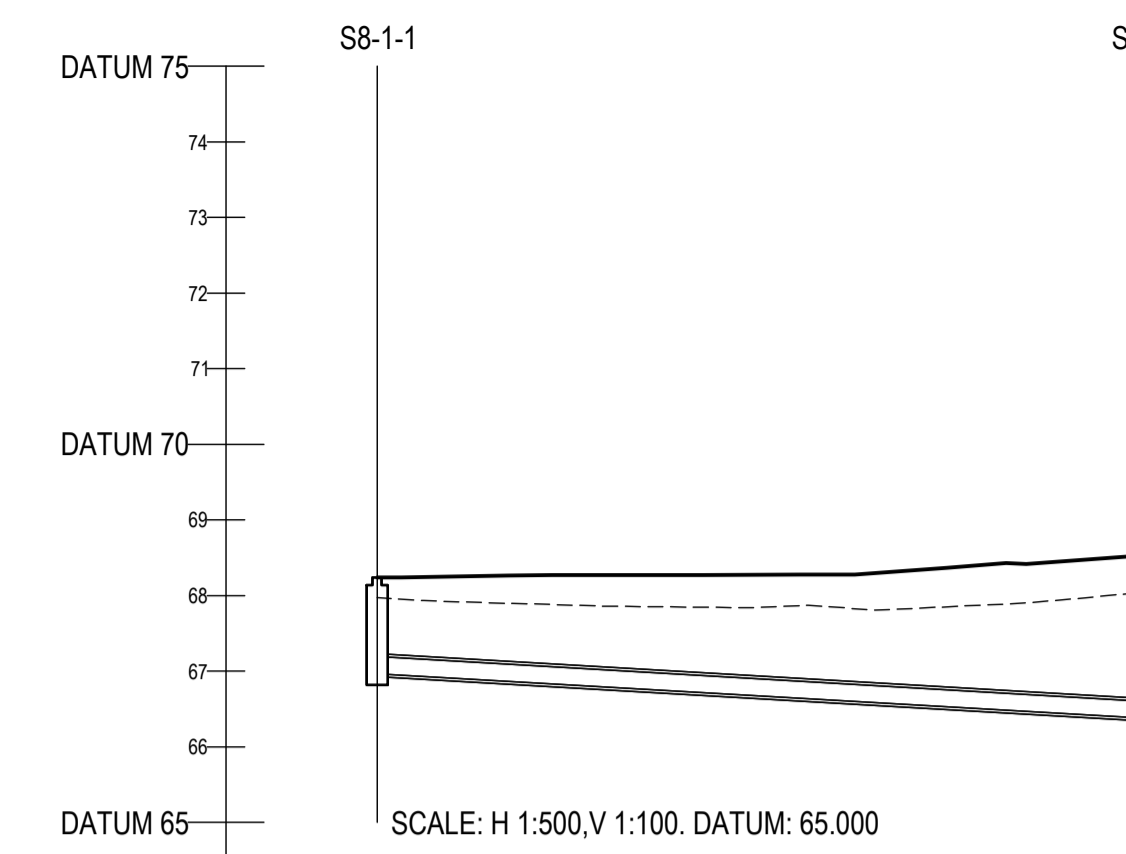
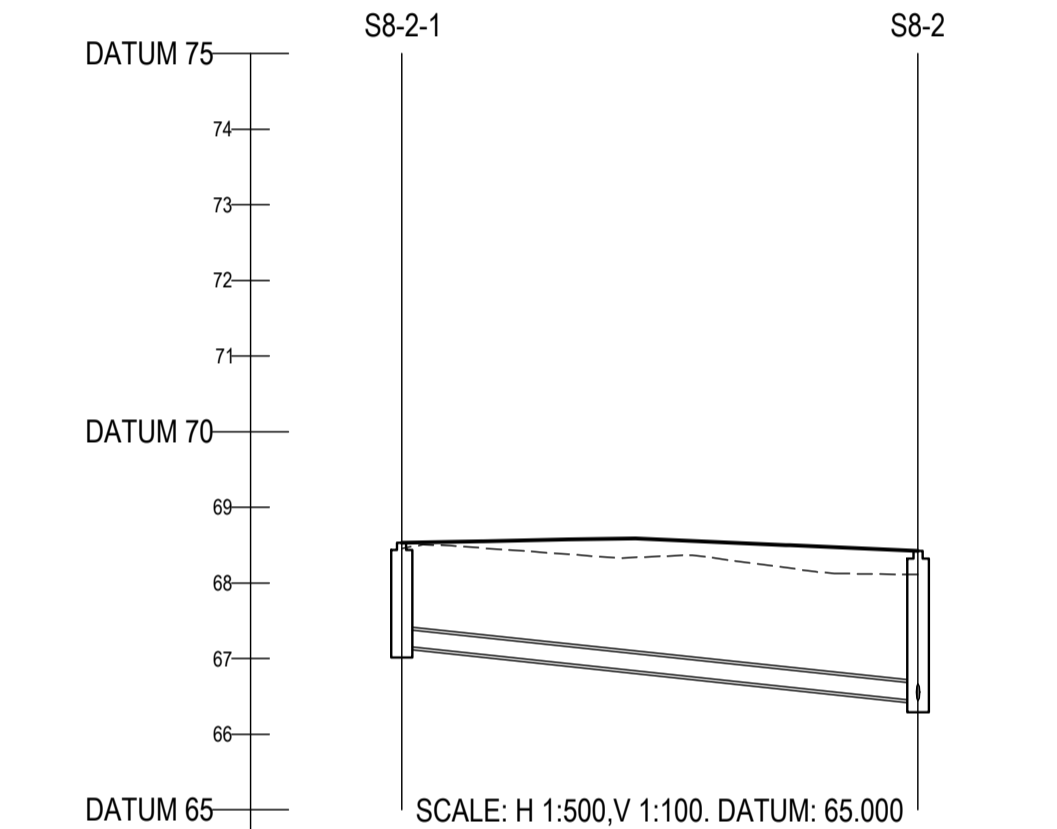


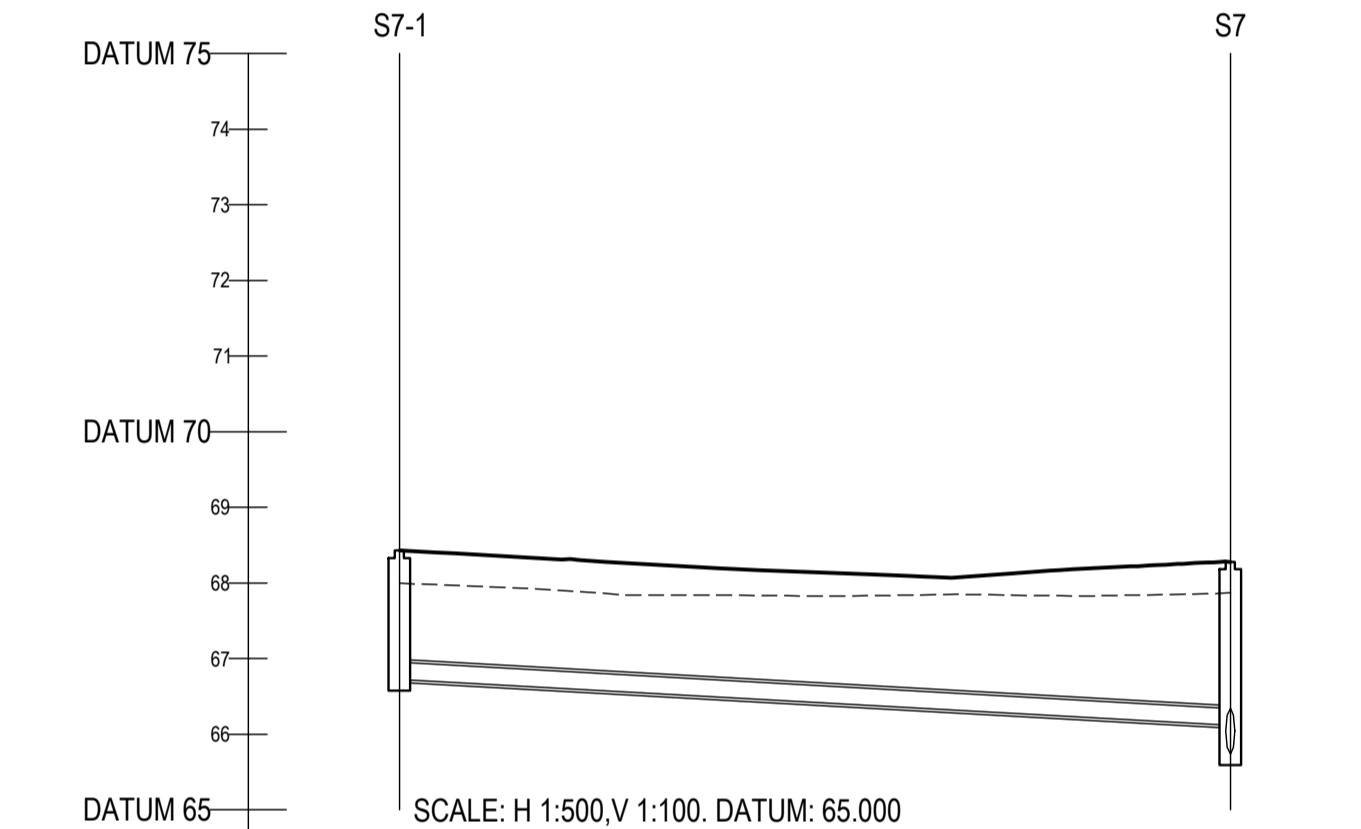
COVER LEVEL	71.962	71.075	71.001	70.243	69.414	69.635
INVERT LEVEL	70.475	69.552 69.552 69.374 69.374	8.001	68.635 68.635	67.546 67.546	67.347
DEPTH (m)	1.487	1.523	1.702	1.668	1.868	2.438
DISTANCE (m)		55.53	6.56	43.85	57.75	30.04
PIPE SLOPE		1.60	1.37	1.66	1.53	1.151
PIPE SIZE		225mm	225mm	300mm	300mm	300mm



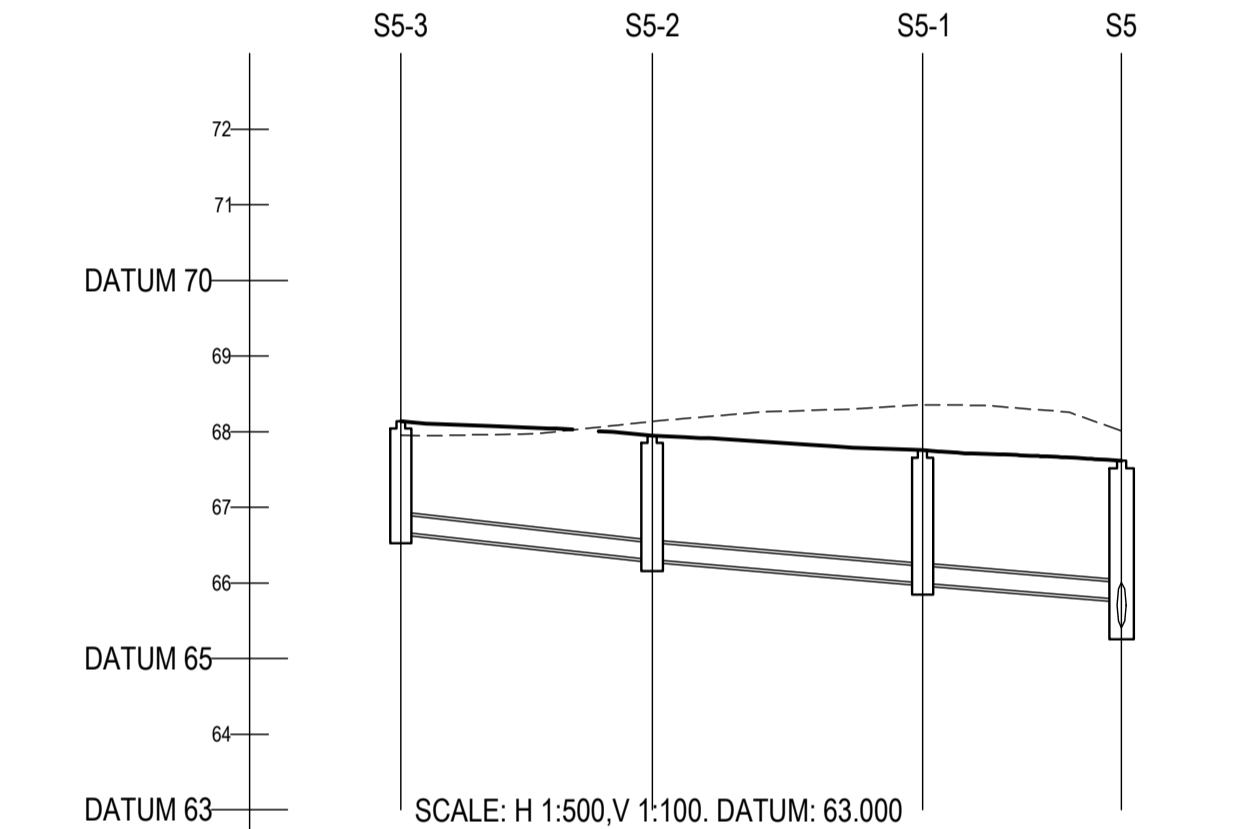
COVER LEVEL	68.240	68.530
INVERT LEVEL	66.969	66.383
DEPTH (m)	1.271	2.147
DISTANCE (m)		50.26
PIPE SLOPE		1.86
PIPE SIZE		225mm



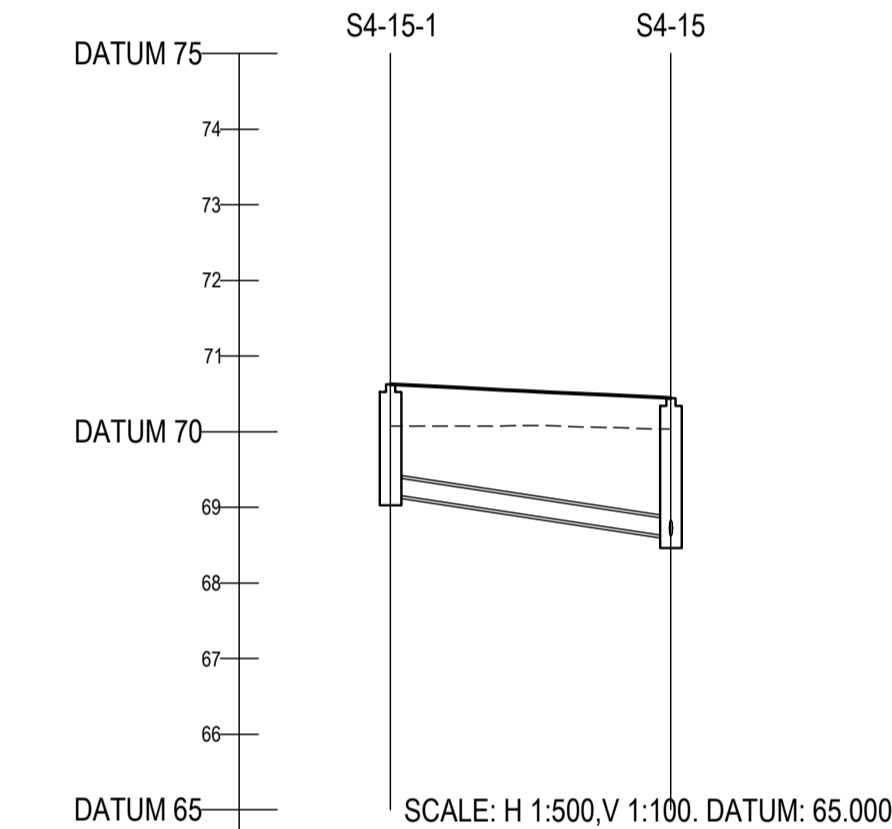
COVER LEVEL	68.533	68.423
INVERT LEVEL	67.165	66.441
DEPTH (m)	1.368	1.982
DISTANCE (m)		34.14
PIPE SLOPE		1.47
PIPE SIZE		225mm



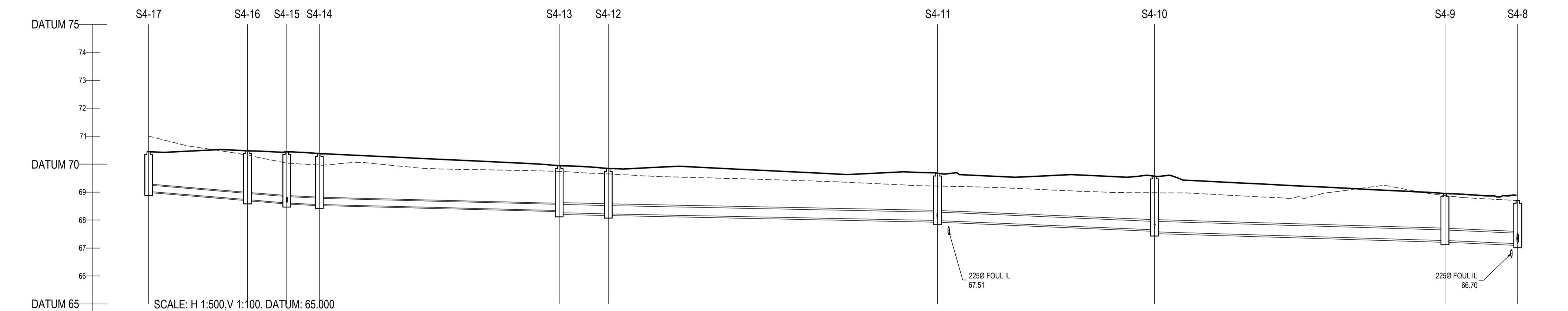
COVER LEVEL	68.429	68.390
INVERT LEVEL	66.725	66.115
DEPTH (m)	1.704	2.240
DISTANCE (m)		54.96
PIPE SLOPE		1.90
PIPE SIZE		225mm



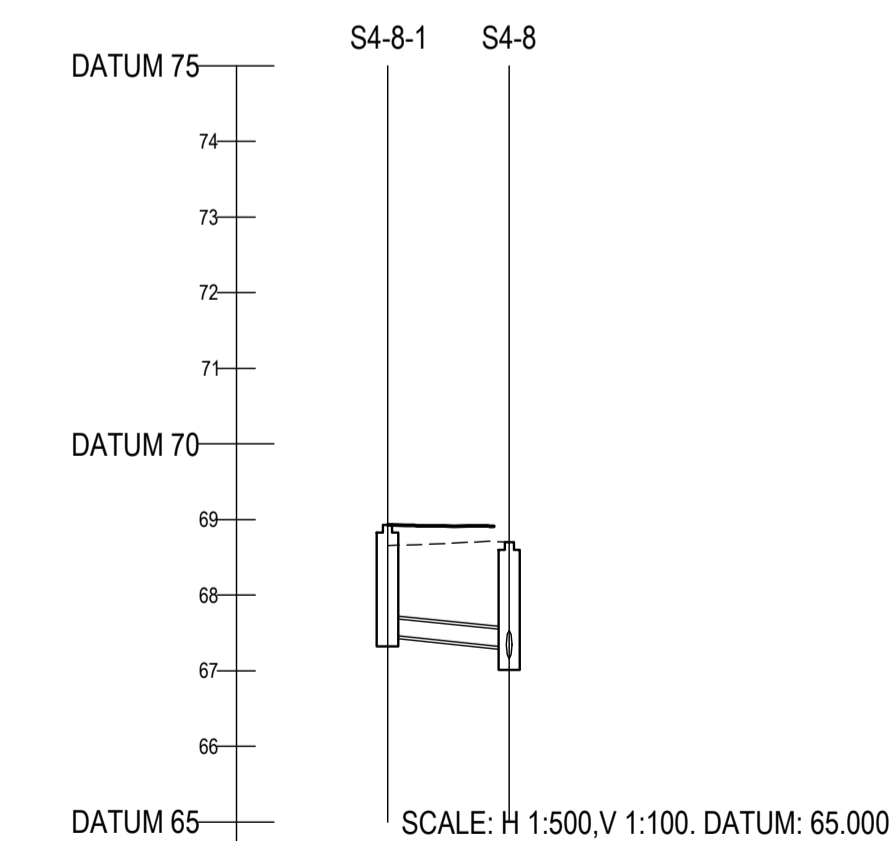
COVER LEVEL	68.139	67.948	67.756	67.616
INVERT LEVEL	66.075	14.002 66.305	14.003 66.997	66.791
DEPTH (m)	1.464	1.643	1.759	2.210
DISTANCE (m)		16.63	17.88	13.16
PIPE SLOPE		1.45	1.58	1.61
PIPE SIZE		225mm	225mm	225mm



COVER LEVEL	70.627	70.443
INVERT LEVEL	68.175	68.613
DEPTH (m)	1.452	1.830
DISTANCE (m)		18.54
PIPE SLOPE		1.33
PIPE SIZE		225mm

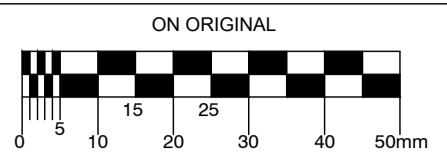


COVER LEVEL	70.449	70.481	70.443	70.377	69.943	69.844	69.677	69.572	69.948	69.698
INVERT LEVEL	69.025	68.730 68.730 68.579 68.579	68.313 68.313 68.355 68.355	68.555	68.340 68.265 68.221 68.221	68.221	67.895 67.895	67.654 67.679	67.270 67.270	67.156 67.156
DEPTH (m)	1.424	1.751	1.830	1.822	1.678	1.623	1.692	1.993	1.678	1.540
DISTANCE (m)		17.64	7.03	5.81	42.86	8.77	58.81	38.79	13.01	1.540
PIPE SLOPE		1.60	1.60	1.100	1.199	1.199	1.249	1.117	1.168	1.116
PIPE SIZE		225mm	225mm	225mm	225mm	300mm	300mm	300mm	375mm	375mm



COVER LEVEL	68.929	68.698
INVERT LEVEL	67.475	67.235
DEPTH (m)	1.454	1.540
DISTANCE (m)		8.04
PIPE SLOPE		1.48
PIPE SIZE		225mm

© COPYRIGHT OF THIS DRAWING IS RESERVED BY DBFL CONSULTING ENGINEERS. NO PART SHALL BE REPRODUCED OR TRANSMITTED WITHOUT THEIR WRITTEN PERMISSION.



- NOTES:
- ALL DRAWINGS TO BE CHECKED BY CONTRACTOR ON SITE AND ENGINEER INFORMED OF DISCREPANCIES BEFORE WORK COMMENCES
 - ALL LEVELS ARE IN METRES AND ARE RELATED TO ORDNANCE DATUM
 - CONTRACTOR SHALL SATISFY HIMSELF AS TO THE ACCURACY OF PAVEMENT LEVELS ON SITE PRIOR TO COMMENCEMENT OF WORKS ON SITE
 - ALL WORKS TO BE CONSTRUCTED IN ACCORDANCE WITH THE NRA SPECIFICATION FOR ROAD WORKS UNLESS NOTED OTHERWISE
 - THIS DRAWING IS FOR PLANNING PURPOSES ONLY
 - MANHOLE COVER LEVELS ARE TO CONFORM WITH FINISHED ROAD AND PATH LEVELS
 - WHERE COVER TO PIPE IS LESS THAN 1200mm (ROAD/PATH/VERGE) OR 900mm (OPEN SPACE) SURROUND PIPE IN MINIMUM 150mm CONCRETE

KEY
 - - - - - EXISTING GROUND PROFILE
 _____ PROPOSED GROUND PROFILE

B	14-09-21	FOR SHD APPLICATION	JVS	BK
A	16-07-21	REVISED LAYOUT	JVS	BK
REV.	DATE	DESCRIPTION	BY	CHKD.
PLANNING				
DESIGNED	EJD	PREPARED	JVS	
DATE	AUG 2019	CHECKED	BK	

DBFL Consulting Engineers email: info@dbfl.ie site: www.dbfl.ie

PROJECT
**LANDS AT CLONMINCH,
 TULLAMORE, CO OFFALY**

DRG. TITLE
**LONGITUDINAL SECTIONS
 THROUGH SURFACE
 WATER SHEET 3**

CLIENT
**STEINFORT INVESTMENTS
 FUND**