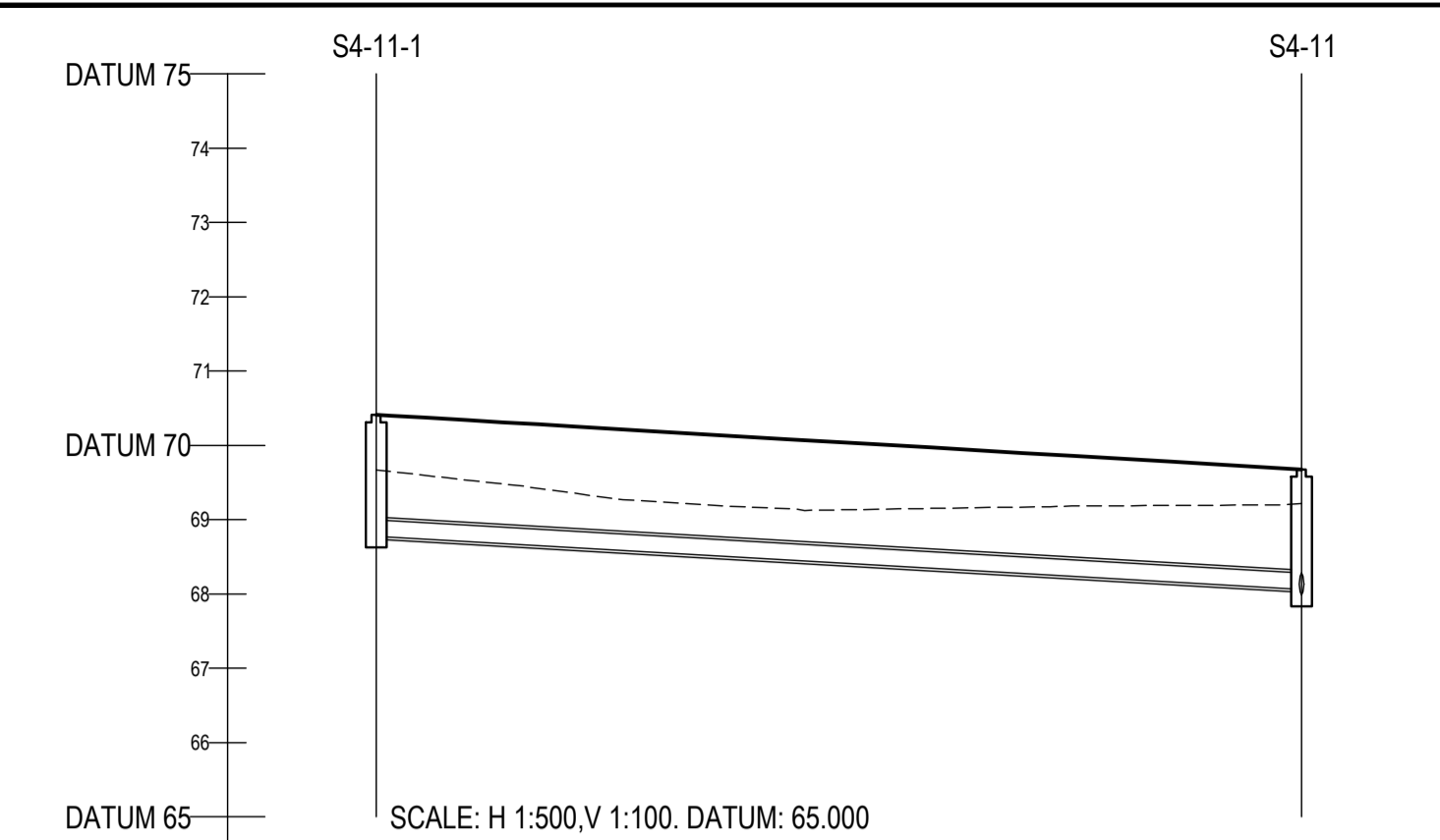
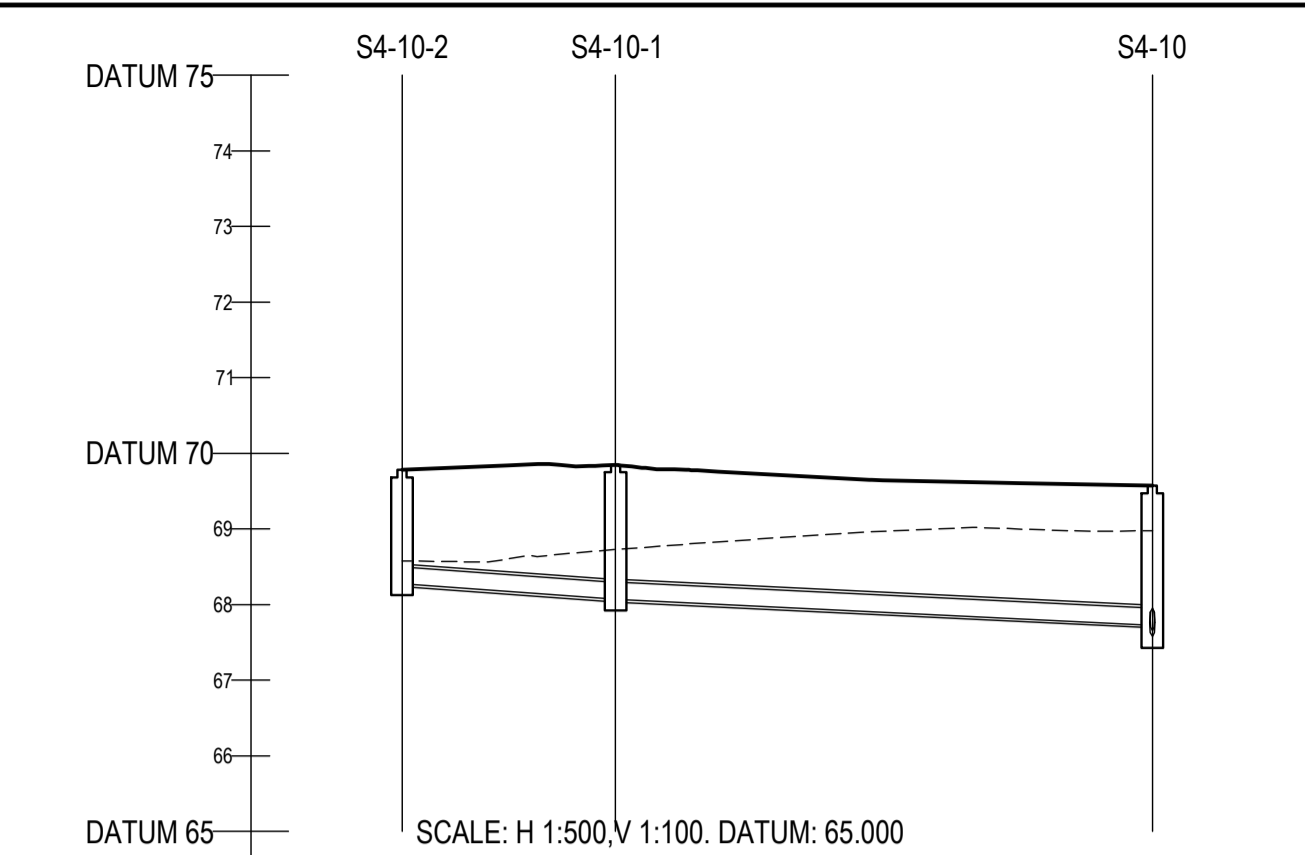


- NOTES:
- ALL DRAWINGS TO BE CHECKED BY CONTRACTOR ON SITE AND ENGINEER INFORMED OF DISCREPANCIES BEFORE WORK COMMENCES
  - ALL LEVELS ARE IN METRES AND ARE RELATED TO ORDNANCE DATUM
  - CONTRACTOR SHALL SATISFY HIMSELF AS TO THE ACCURACY OF PAVEMENT LEVELS ON SITE PRIOR TO COMMENCEMENT OF WORKS ON SITE
  - ALL WORKS TO BE CONSTRUCTED IN ACCORDANCE WITH THE NRA SPECIFICATION FOR ROAD WORKS UNLESS NOTED OTHERWISE
  - THIS DRAWING IS FOR PLANNING PURPOSES ONLY
  - MANHOLE COVER LEVELS ARE TO CONFORM WITH FINISHED ROAD AND PATH LEVELS
  - WHERE COVER TO PIPE IS LESS THAN 1200mm (ROAD/PATH/VERGE) OR 900mm (OPEN SPACE) SURROUND PIPE IN MINIMUM 150mm CONCRETE

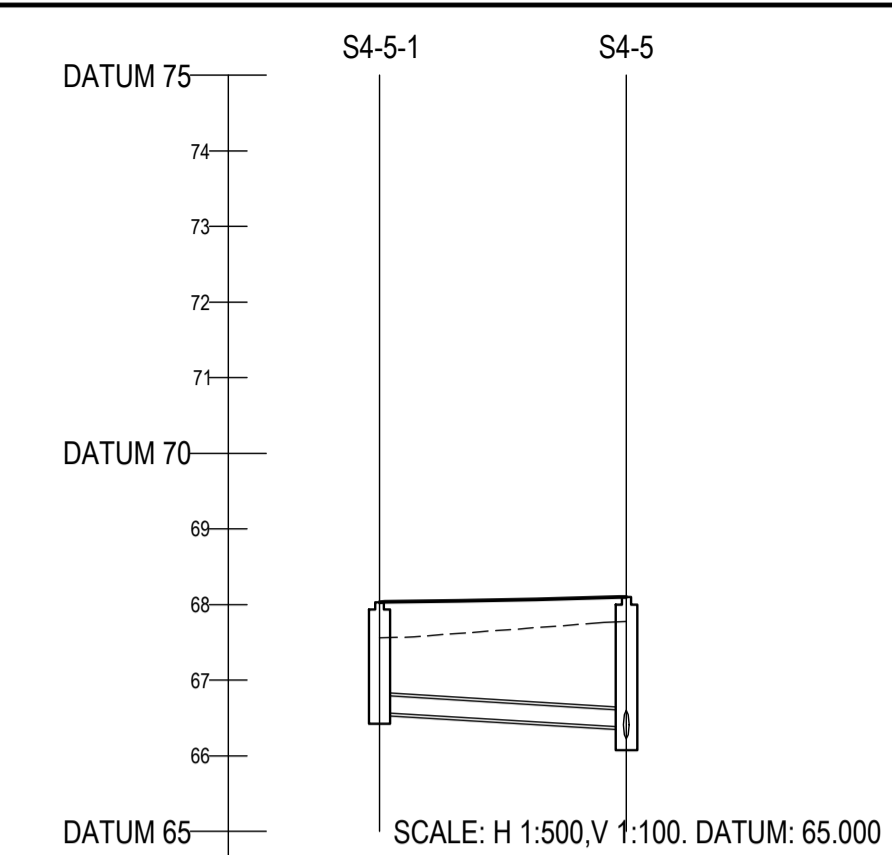
KEY  
 - - - - - EXISTING GROUND PROFILE  
 ——— PROPOSED GROUND PROFILE



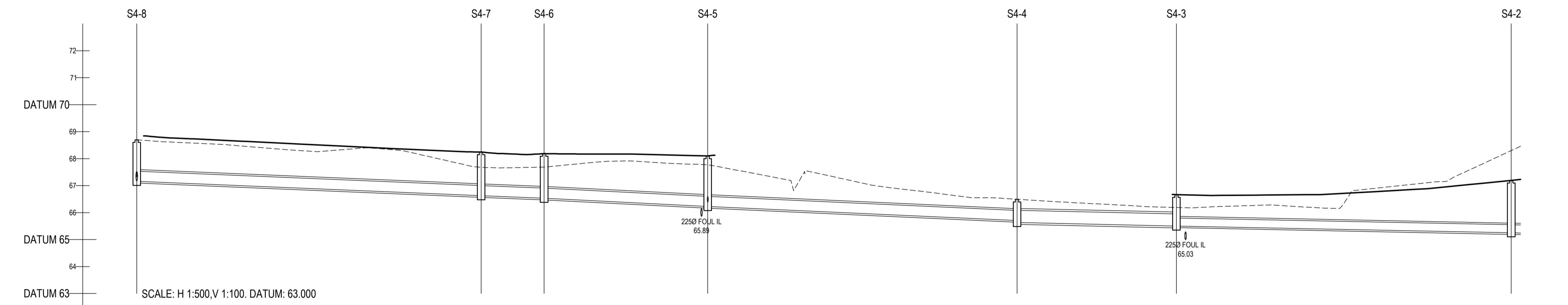
COVER LEVEL	70.413	69.677
INVERT LEVEL	68.775	68.050
DEPTH (m)	1.638	1.622
DISTANCE (m)	62.26	
PIPE SLOPE	1.87	
PIPE SIZE	225mm	



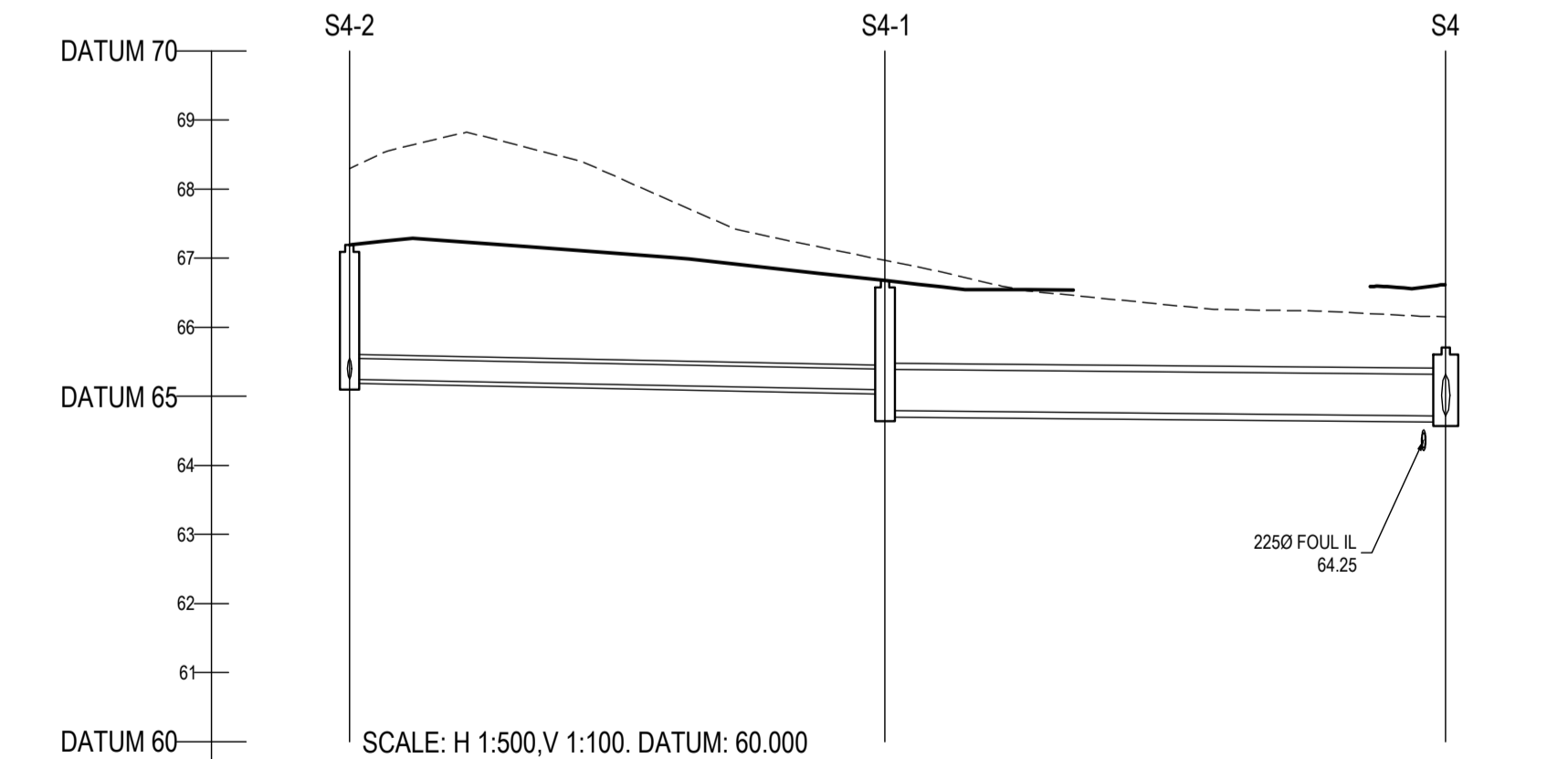
COVER LEVEL	69.761	69.890	69.372
INVERT LEVEL	68.275	68.071	67.729
DEPTH (m)	1.506	1.779	1.963
DISTANCE (m)	14.11	35.51	
PIPE SLOPE	1.69	1.104	
PIPE SIZE	225mm	225mm	



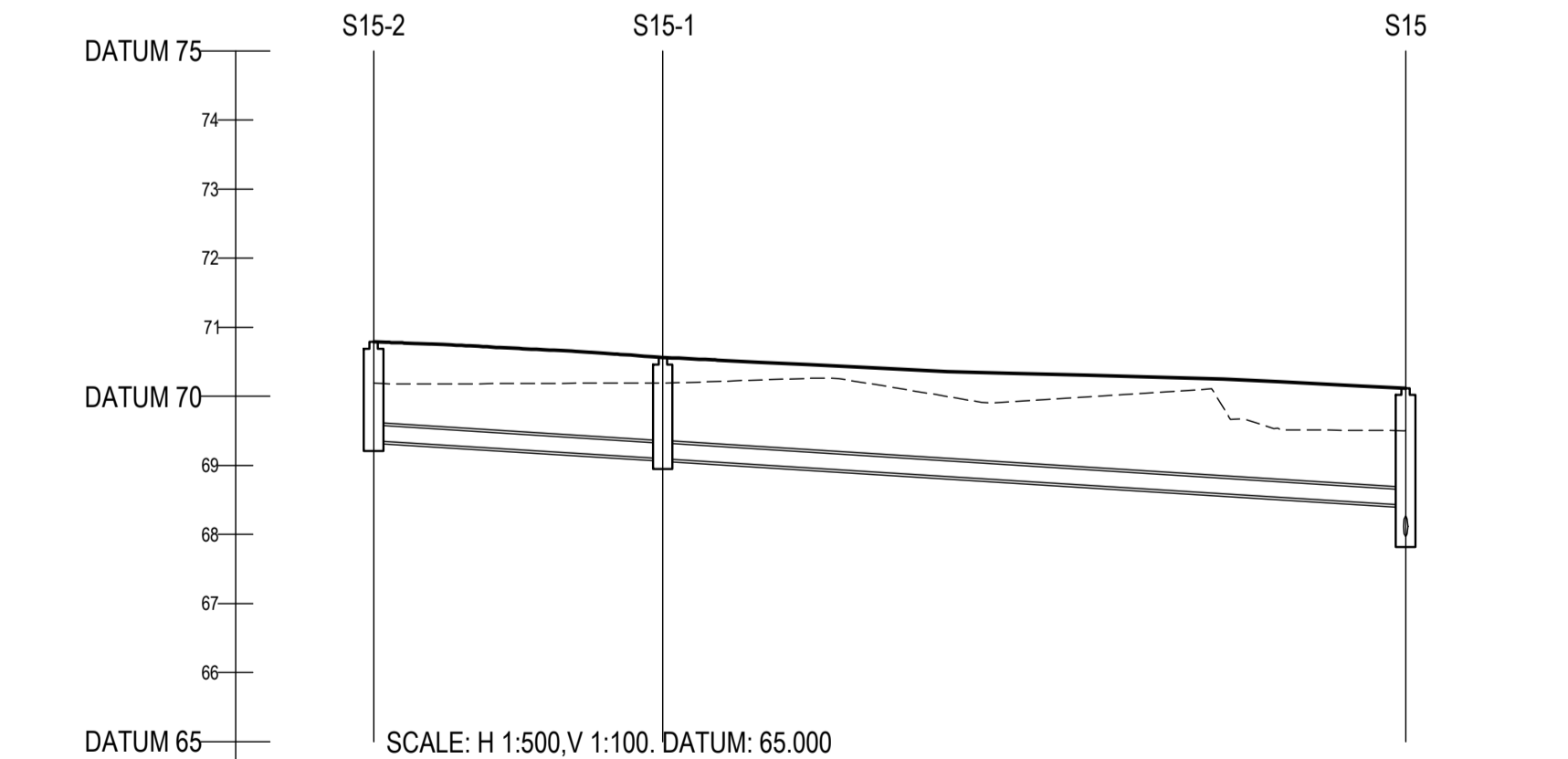
COVER LEVEL	68.033	68.101
INVERT LEVEL	66.575	66.376
DEPTH (m)	1.458	1.875
DISTANCE (m)	16.33	
PIPE SLOPE	1.82	
PIPE SIZE	225mm	



COVER LEVEL	68.698	68.245	68.185	68.101	66.483	66.861	67.194
INVERT LEVEL	67.158	66.626	66.530	66.226	65.831	65.500	65.249
DEPTH (m)	1.540	1.619	1.655	1.875	0.652	1.361	1.945
DISTANCE (m)	63.75	11.67	30.28	57.27	29.50	61.99	38.78
PIPE SLOPE	1.120	1.122	1.100	1.110	1.225	1.247	1.245
PIPE SIZE	375mm	375mm	375mm	375mm	450mm	300mm	300mm



COVER LEVEL	67.194	66.675	65.708
INVERT LEVEL	65.249	65.091	64.717
DEPTH (m)	1.945	1.584	0.991
DISTANCE (m)	38.78	40.60	
PIPE SLOPE	1.245	1.549	
PIPE SIZE	300mm	600mm	



COVER LEVEL	70.787	70.562	70.178
INVERT LEVEL	68.339	68.097	68.424
DEPTH (m)	1.428	1.465	2.151
DISTANCE (m)	20.94	53.81	
PIPE SLOPE	1.80	1.80	
PIPE SIZE	225mm	225mm	

B	14-09-21	FOR SHD APPLICATION	JVS	BK
A	16-07-21	REVISED LAYOUT	JVS	BK
REV	DATE	DESCRIPTION	BY	CHKD

**PLANNING**

DESIGNED	EJD	PREPARED	BK
DATE	AUG 2019	CHECKED	BK

DBFL Consulting Engineers email: info@dbfl.ie site: www.dbfl.ie

PROJECT  
**LANDS AT CLONMINCH,  
 TULLAMORE, CO OFFALY**

DRG. TITLE  
**LONGITUDINAL SECTIONS  
 THROUGH SURFACE WATER  
 SHEET 4**

CLIENT  
**STEINFORT INVESTMENTS  
 FUND**