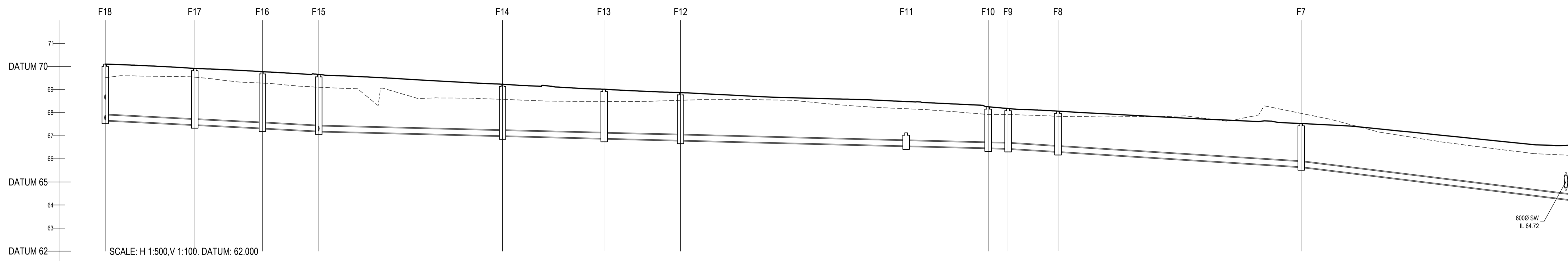
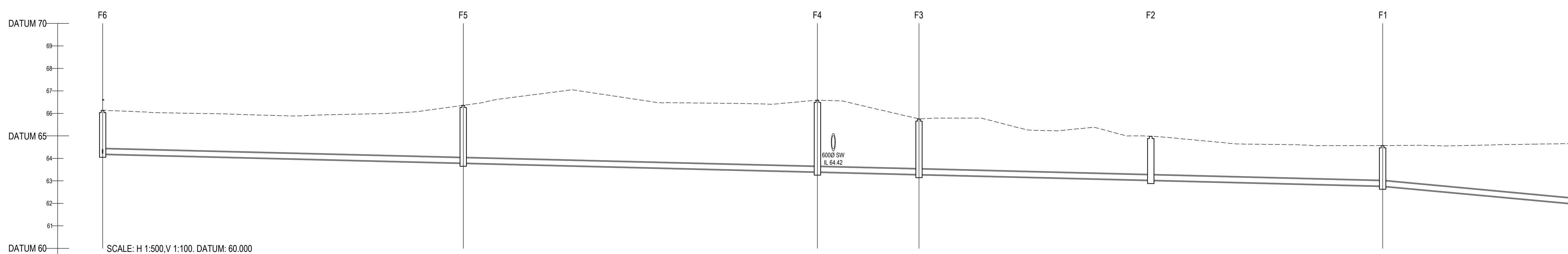


COVER LEVEL		71.573		71.498		71.467		71.318		71.474		71.292		71.045		70.964		70.793		70.988		70.104					
INVERT LEVEL		69.953	1.001	69.663	1.002	69.408	1.003	69.249	69.249	1.004	69.040	69.040	1.007	68.530	68.530	1.008	68.261	68.261	1.009	68.146	68.146	1.010	68.002	68.002	1.011	67.673	70.104
DEPTH (m)		1.620		1.795		2.059		2.068		2.434		2.750		2.719		2.703		2.647		2.596		2.596		2.431			
DISTANCE (m)		18.85		17.55		15.49		20.86		70.07		22.21		9.06		17.22		21.54		55.87							
PIPE SLOPE		1:65		1:69		1:97		1:100		1:130		1:129		1:131		1:150		1:150		1:170							
PIPE SIZE		225mm		225mm		225mm		225mm		225mm		225mm		225mm		225mm		225mm		225mm		225mm		225mm			

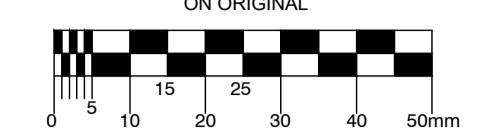


COVER LEVEL		70.104		69.914		69.775		69.653		69.233		69.016		67.123		66.253		66.181		66.866		67.531		66.139		
INVERT LEVEL		67.673	1.012	67.479	1.013	67.332	1.014	67.197	67.197	1.018	66.998	66.998	1.019	66.560	66.560	1.762	66.449	66.449	1.021	66.314	66.314	1.022	65.954	65.954	1.023	64.198
DEPTH (m)		2.431		2.435		2.443		2.466		2.235		2.229		0.893		1.762		1.732		1.762		1.677		1.941		
DISTANCE (m)		19.42		14.66		12.24		39.82		22.03		16.57		48.89		17.80		10.83		52.72		59.52				
PIPE SLOPE		1:100		1:100		1:200		1:200		1:198		1:202		1:200		1:196		1:90		1:200		1:80		1:141		
PIPE SIZE		225mm		225mm		225mm		225mm		225mm		225mm		225mm		225mm		225mm		225mm		225mm		225mm		



COVER LEVEL		66.139		66.358		66.590		66.754		64.982		64.693										
INVERT LEVEL		64.198	1.024	63.797	63.797	1.025	63.404	63.404	1.026	63.292	63.292	1.027	63.034	63.034	1.028	62.776	62.776	1.029	62.591	62.591	1.029	61.950
DEPTH (m)		1.941		2.561		3.186		2.442		1.948		2.713										
DISTANCE (m)		80.10		78.66		22.56		51.49		51.49		44.60										
PIPE SLOPE		1:200		1:200		1:201		1:200		1:200		1:54										
PIPE SIZE		225mm		225mm		225mm		225mm		225mm		225mm										

© COPYRIGHT OF THIS DRAWING IS RESERVED BY DBFL CONSULTING ENGINEERS. NO PART SHALL BE REPRODUCED OR TRANSMITTED WITHOUT THEIR WRITTEN PERMISSION.



- NOTES:
- ALL DRAWINGS TO BE CHECKED BY CONTRACTOR ON SITE AND ENGINEER INFORMED OF DISCREPANCIES BEFORE WORK COMMENCES
 - ALL LEVELS ARE IN METRES AND ARE RELATED TO ORDNANCE DATUM
 - CONTRACTOR SHALL SATISFY HIMSELF AS TO THE ACCURACY OF PAVEMENT LEVELS ON SITE PRIOR TO COMMENCEMENT OF WORKS ON SITE
 - ALL WORKS TO BE CONSTRUCTED IN ACCORDANCE WITH THE NRA SPECIFICATION FOR ROAD WORKS UNLESS NOTED OTHERWISE
 - THIS DRAWING IS FOR PLANNING PURPOSES ONLY
 - MANHOLE COVER LEVELS ARE TO CONFORM WITH FINISHED ROAD AND PATH LEVELS
 - WHERE COVER TO PIPE IS LESS THAN 1200mm (ROAD/PATH/VERGE) OR 900mm (OPEN SPACE) SURROUND PIPE IN MINIMUM 150mm CONCRETE

KEY
 - - - - - EXISTING GROUND PROFILE
 _____ PROPOSED GROUND PROFILE

REV	DATE	DESCRIPTION	BY	CHKD
C	14-09-21	FOR SHD APPLICATION	JVS	BK
B	16-07-21	REVISED LAYOUT	JVS	BK
A	230720	CDS ISSUE	GMC	ED

PLANNING

DESIGNED	ED	PREPARED	GMC
DATE	JUL 2020	CHECKED	BK

DBFL Consulting Engineers email: info@dbfl.ie site: www.dbfl.ie

DBFL
 Dublin office Ormond House,
 Upper Ormond Quay, Dublin 7, Ireland.
 PHONE +353 1 400 4000
 FAX +353 1 400 4050

Waterford office Unit 2, The Chandlery,
 1-2 O'Connell Street, Waterford, Ireland.
 PHONE +353 51 308 550
 FAX +353 51 844 813

PROJECT
**LANDS AT CLONMINCH,
 TULLAMORE, CO OFFALY**

DRG. TITLE
**LONGITUDINAL SECTIONS
 THROUGH FOUL SEWER
 SHEET 1**

CLIENT
**STEINFORT INVESTMENTS
 FUND**