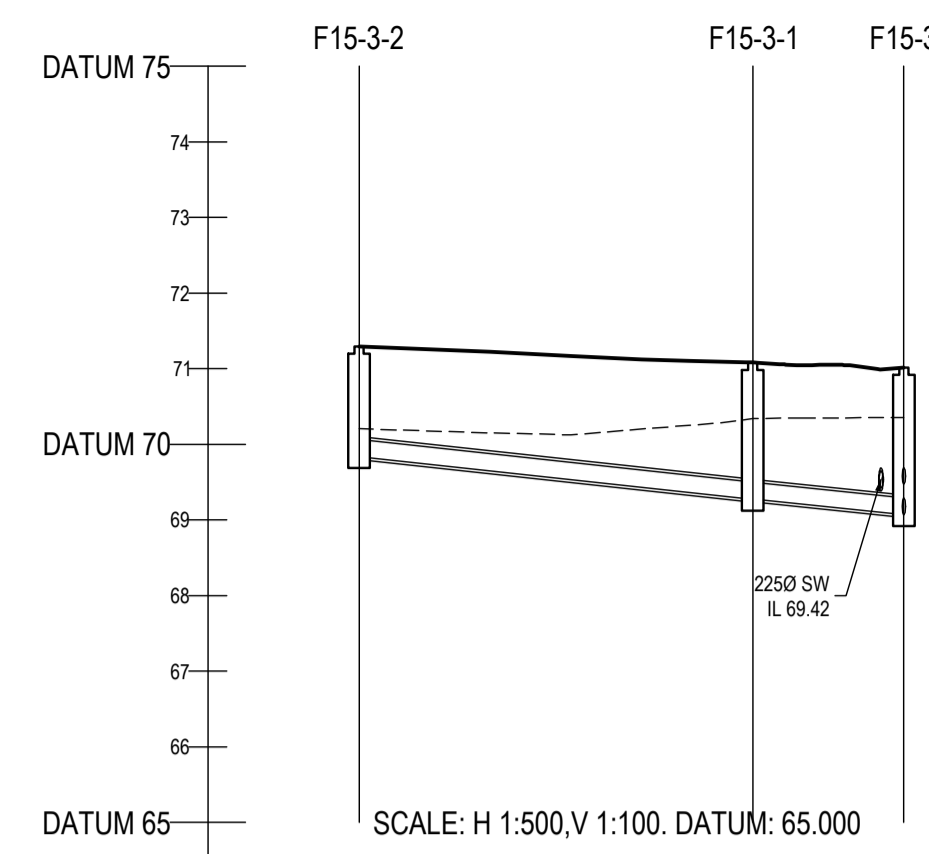
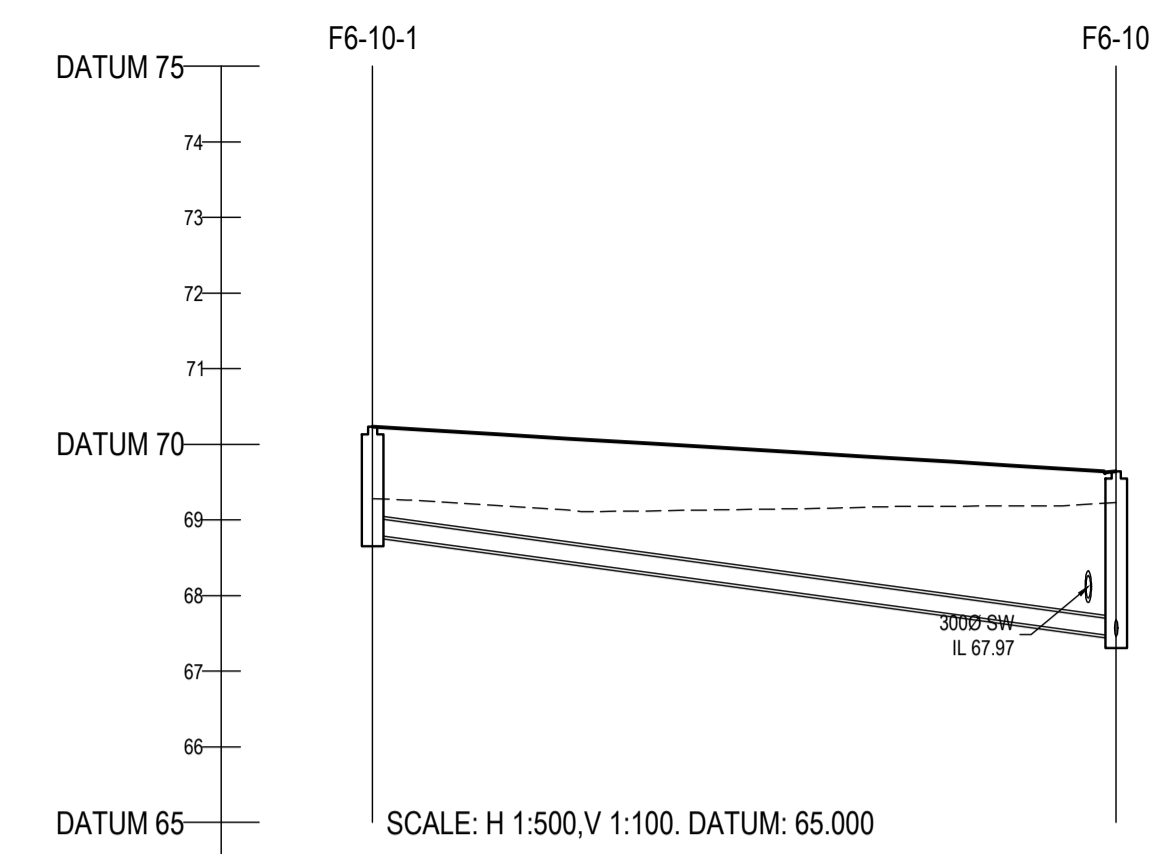


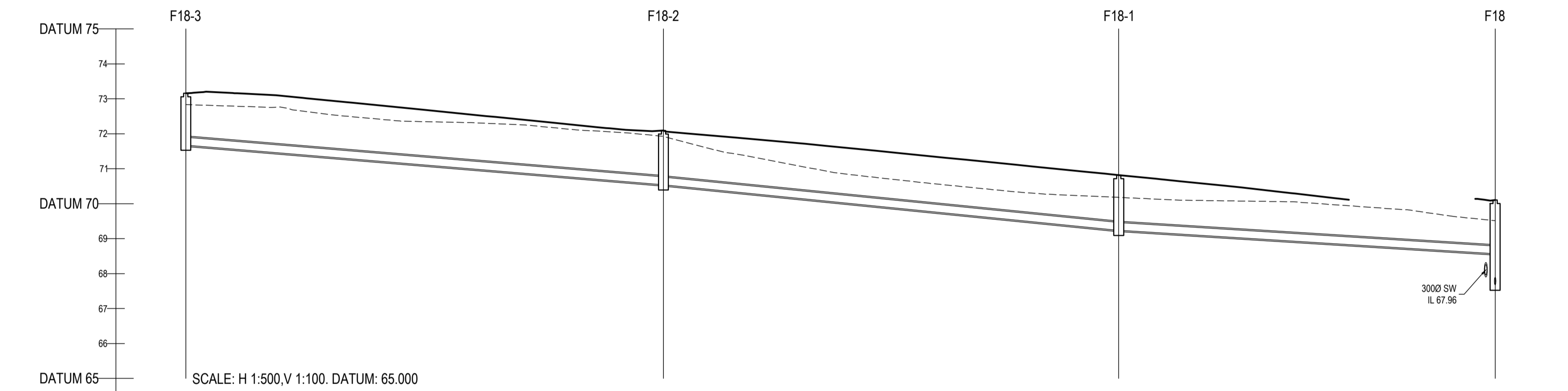
COVER LEVEL	72.969	71.332	71.123	70.964
INVERT LEVEL	71.500	70.243	69.709	69.275
DEPTH (m)	1.469	1.089	1.414	2.703
DISTANCE (m)		44.02	33.63	
PIPE SLOPE		1.35	1.63	1.73
PIPE SIZE		225mm	225mm	225mm



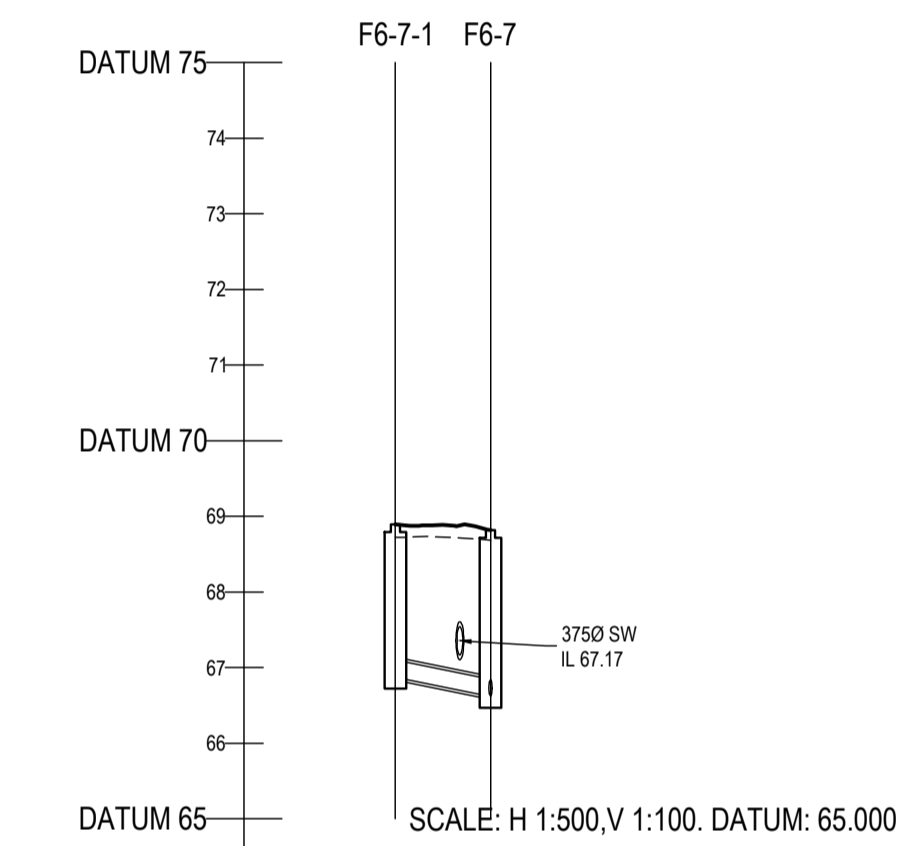
COVER LEVEL	71.297	71.083	71.018
INVERT LEVEL	69.839	69.276	69.008
DEPTH (m)	1.458	1.807	1.950
DISTANCE (m)		26.04	9.99
PIPE SLOPE		1.46	1.48
PIPE SIZE		225mm	225mm



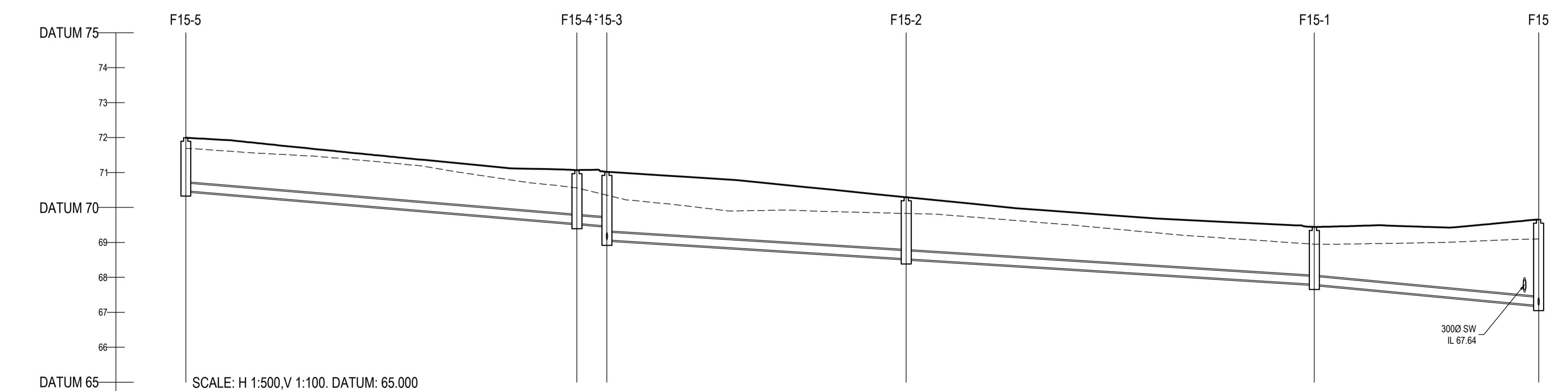
COVER LEVEL	70.233	69.646
INVERT LEVEL	68.805	67.459
DEPTH (m)	1.428	2.187
DISTANCE (m)		49.18
PIPE SLOPE		1.37
PIPE SIZE		225mm



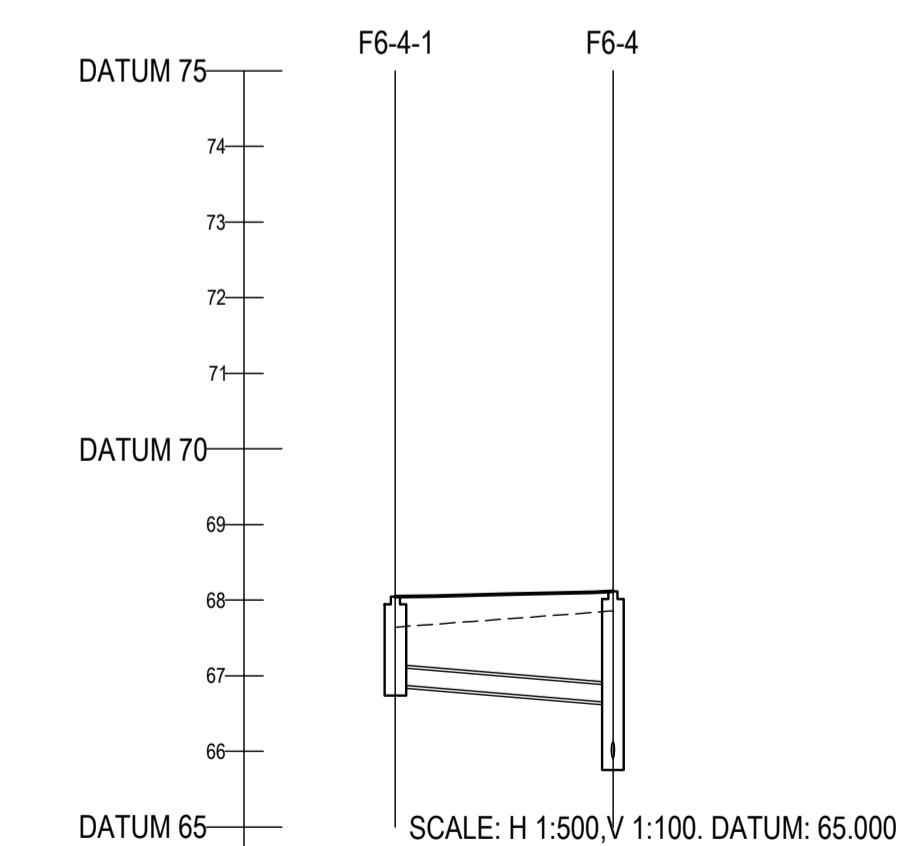
COVER LEVEL	73.159	72.092	70.818	70.104
INVERT LEVEL	71.675	70.359	69.237	68.564
DEPTH (m)	1.484	1.733	1.581	2.411
DISTANCE (m)		68.30	65.09	53.83
PIPE SLOPE		1.60	1.80	
PIPE SIZE		225mm	225mm	225mm



COVER LEVEL	68.891	68.815
INVERT LEVEL	66.871	66.518
DEPTH (m)	2.020	2.297
DISTANCE (m)		6.29
PIPE SLOPE		1.25
PIPE SIZE		225mm

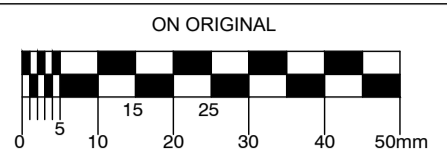


COVER LEVEL	71.994	71.068	70.293	69.441	69.653
INVERT LEVEL	70.475	69.841	69.008	67.802	67.197
DEPTH (m)	1.519	1.227	1.285	1.639	2.456
DISTANCE (m)		55.93	4.28	42.80	58.36
PIPE SLOPE		1.60	1.60	1.80	1.53
PIPE SIZE		225mm	225mm	225mm	225mm



COVER LEVEL	68.045	68.113
INVERT LEVEL	66.885	66.645
DEPTH (m)	1.160	2.227
DISTANCE (m)		14.39
PIPE SLOPE		1.60
PIPE SIZE		225mm

© COPYRIGHT OF THIS DRAWING IS RESERVED BY DBFL CONSULTING ENGINEERS. NO PART SHALL BE REPRODUCED OR TRANSMITTED WITHOUT THEIR WRITTEN PERMISSION.



- NOTES:
- ALL DRAWINGS TO BE CHECKED BY CONTRACTOR ON SITE AND ENGINEER INFORMED OF DISCREPANCIES BEFORE WORK COMMENCES
 - ALL LEVELS ARE IN METRES AND ARE RELATED TO ORDNANCE DATUM
 - CONTRACTOR SHALL SATISFY HIMSELF AS TO THE ACCURACY OF PAVEMENT LEVELS ON SITE PRIOR TO COMMENCEMENT OF WORKS ON SITE
 - ALL WORKS TO BE CONSTRUCTED IN ACCORDANCE WITH THE NRA SPECIFICATION FOR ROAD WORKS UNLESS NOTED OTHERWISE
 - THIS DRAWING IS FOR PLANNING PURPOSES ONLY
 - MANHOLE COVER LEVELS ARE TO CONFORM WITH FINISHED ROAD AND PATH LEVELS
 - WHERE COVER TO PIPE IS LESS THAN 1200mm (ROAD/PATH/VERGE) OR 900mm (OPEN SPACE) SURROUND PIPE IN MINIMUM 150mm CONCRETE

KEY
 - - - - - EXISTING GROUND PROFILE
 _____ PROPOSED GROUND PROFILE

C	14-09-21	FOR SHD APPLICATION	JVS	BK
B	16-07-21	REVISED LAYOUT	JVS	BK
A	230720	CDS ISSUE	GMC	ED
REV	DATE	DESCRIPTION	BY	CHKD

PLANNING

DESIGNED	ED	PREPARED	GMC
DATE	JUL 2020	CHECKED	BK

DBFL Consulting Engineers
 Dublin office: Ormond House, Upper Ormond Quay, Dublin 7, Ireland. PHONE +353 1 400 4000 FAX +353 1 400 4050
 Waterford office: Unit 2, The Chandlery, 1-2 O'Connell Street, Waterford, Ireland. PHONE +353 51 308 550 FAX +353 51 844 913

PROJECT
LANDS AT CLONMINCH, TULLAMORE, CO OFFALY

DRG. TITLE
LONGITUDINAL SECTIONS THROUGH FOUL SEWER SHEET 2

CLIENT
STEINFORT INVESTMENTS FUND

SCALE H 1:500, V 1:100 @A1 FILE REF. 180002-3020
 DRG. NO. **180002-3032** C