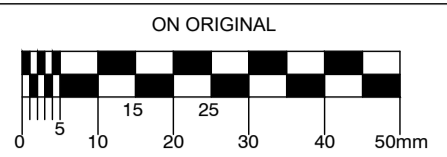
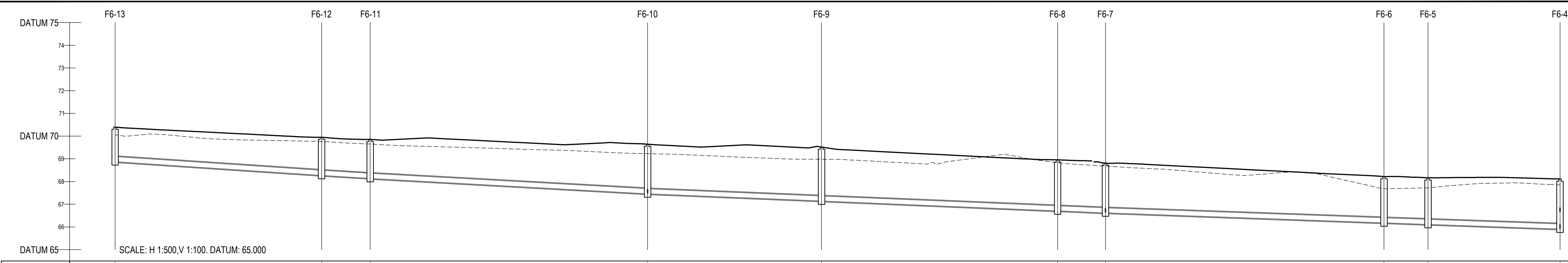


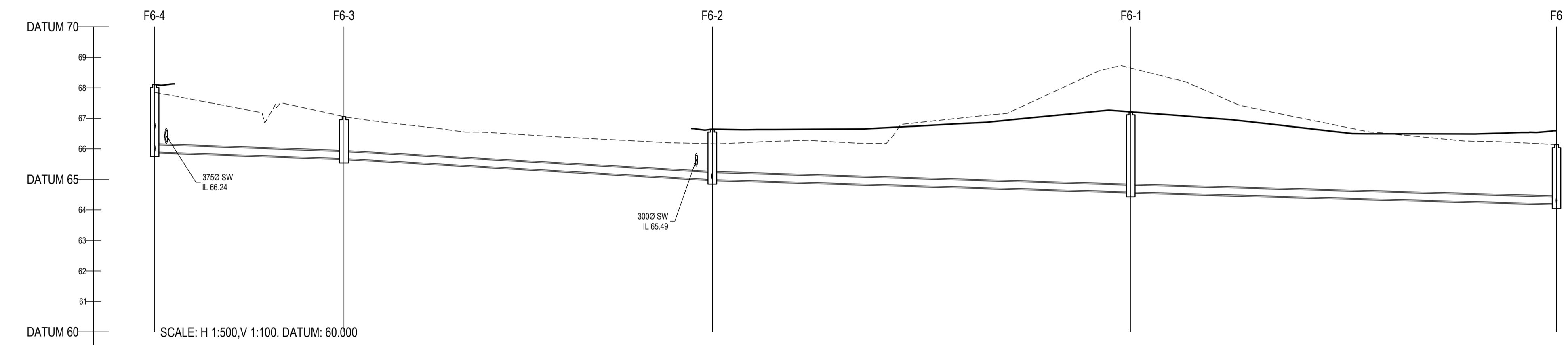
© COPYRIGHT OF THIS DRAWING IS RESERVED BY DBFL CONSULTING ENGINEERS. NO PART SHALL BE REPRODUCED OR TRANSMITTED WITHOUT THEIR WRITTEN PERMISSION.



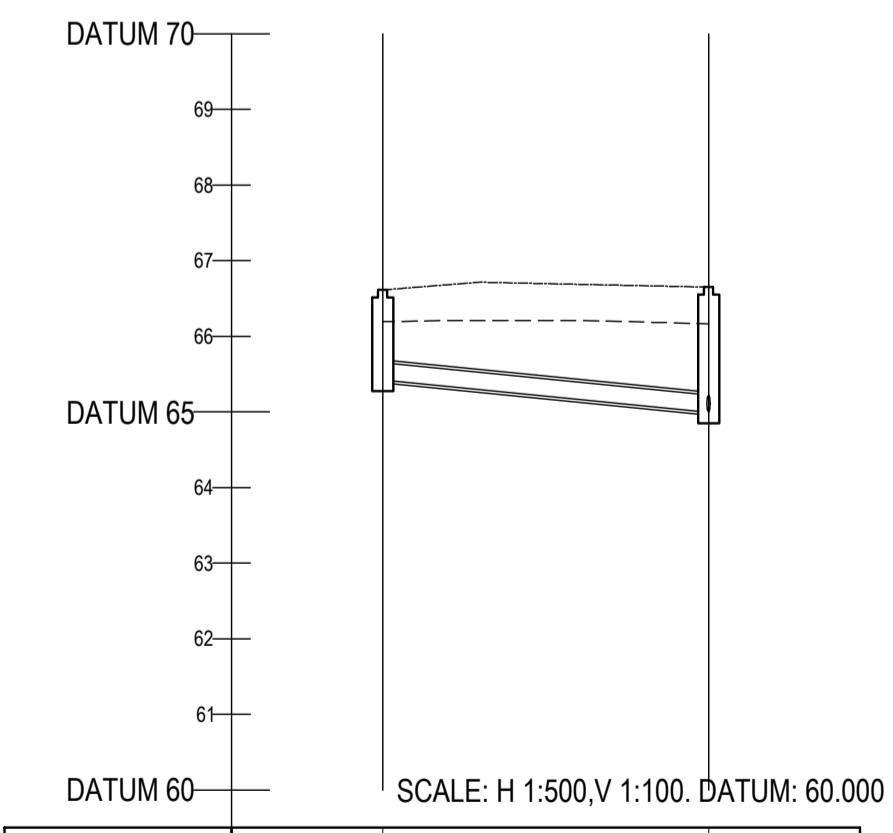
- NOTES:
- ALL DRAWINGS TO BE CHECKED BY CONTRACTOR ON SITE AND ENGINEER INFORMED OF DISCREPANCIES BEFORE WORK COMMENCES
 - ALL LEVELS ARE IN METRES AND ARE RELATED TO ORDNANCE DATUM
 - CONTRACTOR SHALL SATISFY HIMSELF AS TO THE ACCURACY OF PAVEMENT LEVELS ON SITE PRIOR TO COMMENCEMENT OF WORKS ON SITE
 - ALL WORKS TO BE CONSTRUCTED IN ACCORDANCE WITH THE NRA SPECIFICATION FOR ROAD WORKS UNLESS NOTED OTHERWISE
 - THIS DRAWING IS FOR PLANNING PURPOSES ONLY
 - MANHOLE COVER LEVELS ARE TO CONFORM WITH FINISHED ROAD AND PATH LEVELS
 - WHERE COVER TO PIPE IS LESS THAN 1200mm (ROAD/PATH/VERGE) OR 900mm (OPEN SPACE) SURROUND PIPE IN MINIMUM 150mm CONCRETE



COVER LEVEL	70.397		69.951	69.857		69.646	69.520		68.959	68.815		68.217	68.161		66.113				
INVERT LEVEL	68.975	8.003	68.271	8.004	68.137	8.005	67.459	67.440	8.006	66.707	8.008	66.618	66.618	Pipe543	66.181	66.181	66.111	Pipe541	65.995
DEPTH (m)	1.522		1.800	10.69	1.720		2.187	2.380		2.292		2.036	2.050						2.207
DISTANCE (m)		45.42				61.02			38.26		51.93			61.26		9.69		29.02	
PIPE SLOPE		1.75		1.80		1.90			1.120		1.120			1.140		1.138		1.142	
PIPE SIZE		225mm		225mm		225mm			225mm		225mm			225mm		225mm		225mm	



COVER LEVEL	68.113		67.690		66.650		67.215		66.139
INVERT LEVEL	65.905	Pipe545	65.686	11.000	64.997	11.001	64.585	64.585	64.198
DEPTH (m)	2.207		1.274		1.653		2.630		1.941
DISTANCE (m)		31.00		60.31		68.50		69.69	
PIPE SLOPE		1:141		1:88		1:166		1:180	
PIPE SIZE		225mm		225mm		225mm		225mm	



COVER LEVEL	66.614		66.650
INVERT LEVEL	65.425	12.000	64.997
DEPTH (m)	1.189		1.653
DISTANCE (m)		21.56	
PIPE SLOPE		1:50	
PIPE SIZE		225mm	

KEY
 - - - - - EXISTING GROUND PROFILE
 _____ PROPOSED GROUND PROFILE

REV	DATE	DESCRIPTION	BY	CHKD
C	14-09-21	FOR SHD APPLICATION	JVS	BK
B	16-07-21	REVISED LAYOUT	JVS	BK
A	230720	CDS ISSUE	GMC	ED

PLANNING			
DESIGNED	ED	PREPARED	GMC
DATE	JUL 2020	CHECKED	BK

DBFL Consulting Engineers email: info@dbfl.ie site: www.dbfl.ie

DUBLIN office Ormond House, Upper Ormond Quay, Dublin 7, Ireland. PHONE +353 1 400 4000 FAX +353 1 400 4050

WATERFORD office Unit 2, The Chandlery, 1-2 O'Connell Street, Waterford, Ireland. PHONE +353 51 309 550 FAX +353 51 844 813

PROJECT
LANDS AT CLONMINCH, TULLAMORE, CO OFFALY

DRG. TITLE
LONGITUDINAL SECTIONS THROUGH FOUL SEWER SHEET 3

CLIENT
STEINFORT INVESTMENTS FUND

SCALE H 1:500, V 1:100 @A1 FILE REF. 180002-3020
 DRG. NO. **180002-3033** C