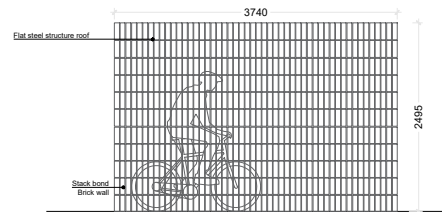
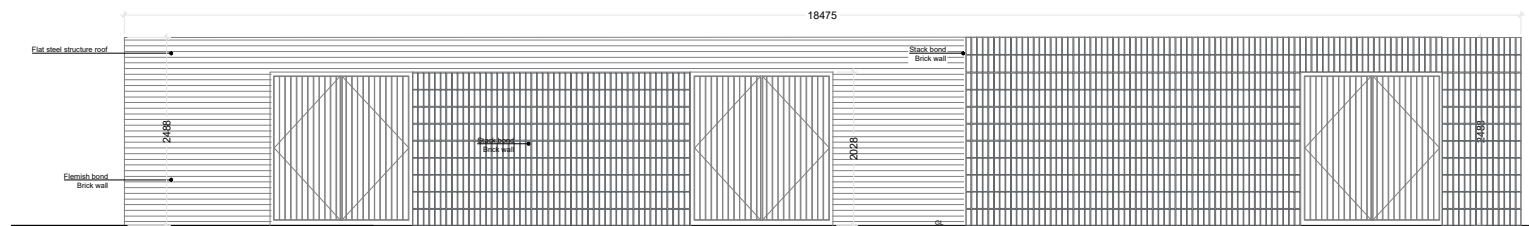


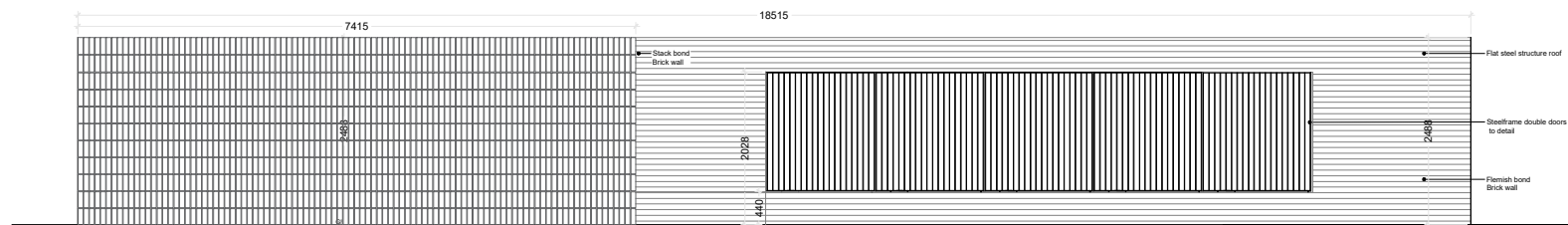
Floor Plan Type C
Scale 1: 100



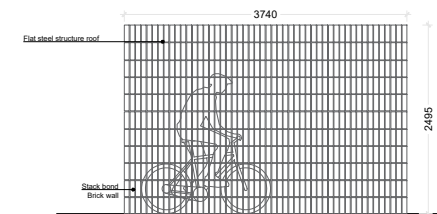
Side elevation Type C
Scale 1: 100



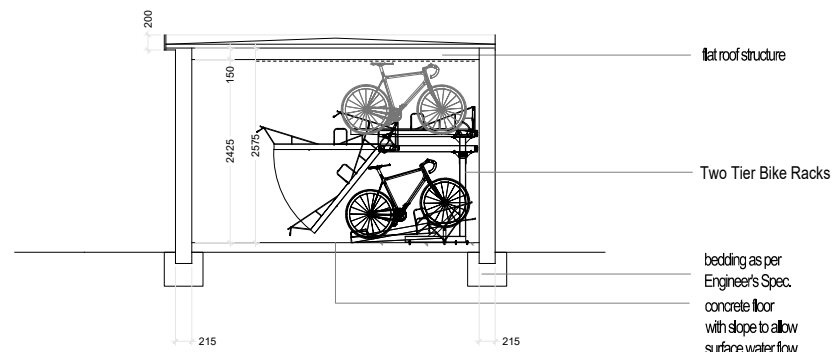
Front elevation Type C
Scale 1: 100



Rear elevation Type C
Scale 1: 100



Side elevation Type C
Scale 1: 100



Bike shelter -section I-I
Scale 1: 100

van Dijk Architects
 HILL HOUSE, MILL STREET, DUNDALK, CO. DOUTH
 PH. 01-2-9354466, FAX. 01-2-9354460
 INFO@VANDIJKARCHITECTS.COM

TYPICAL BICYCLE AND BIN STORAGE SHEET 3
 PROPOSED DEVELOPMENT AT CLONMINCH

Scale: 1:100	Drawn: 1757-PA-502	Job: CLONMINCH
Revision: A	1757-PA-502	Client: STEINFORT INVESTMENTS FUNDS
Drawn by: SG	Checked by: AH	Date: 3/10/2019

FOUNDER'S PERMISSION MUST BE USED IN REFERENCE TO SCALE'S APPROVAL. ANY DIMENSIONAL DISCREPANCIES MUST BE REPORTED TO THE ARCHITECT IMMEDIATELY. THIS DRAWING REMAINS THE COPYRIGHT OF VAN DIJK ARCHITECTS. IT MUST NOT BE USED FOR ANY PURPOSE BEYOND OR IN EXCESS OF THE EXPRESS PERMISSION OF THIS PRACTICE. DO NOT COPY OR REPRODUCE THESE DRAWINGS OR ANY ADDITIONAL INFORMATION WITHOUT THE EXPRESSED APPROVAL OF vanDijk Architects